




- + Capacity: 23 bottles*
- + Vinotag compatible** 
- + Free standing and built-under counter installation
- + Design: black body & black piano organic glass door frame
- + Cooling system: compressor
- + Type of cold: air moving system
- + Adjustable temperature range of use: 5°-20°C
- + Electronic regulation
- + Thermometer with white electronic display
- + White LED lights with switch button
- + Humidity control: water tray
- + 1 reversible glass door, anti-UV treated, 2-layers tempered glass (grey-colored)



Eco-responsibility

Our products are manufactured in compliance with European environmental rules. Especially, refrigerant fluid (R600a) doesn't reject neither CFC nor HFC and respect environment.

Energy consumption is calculated based on the result obtained for 24h in standard test conditions. The actual energy consumption depends on the conditions of use and location of the device.

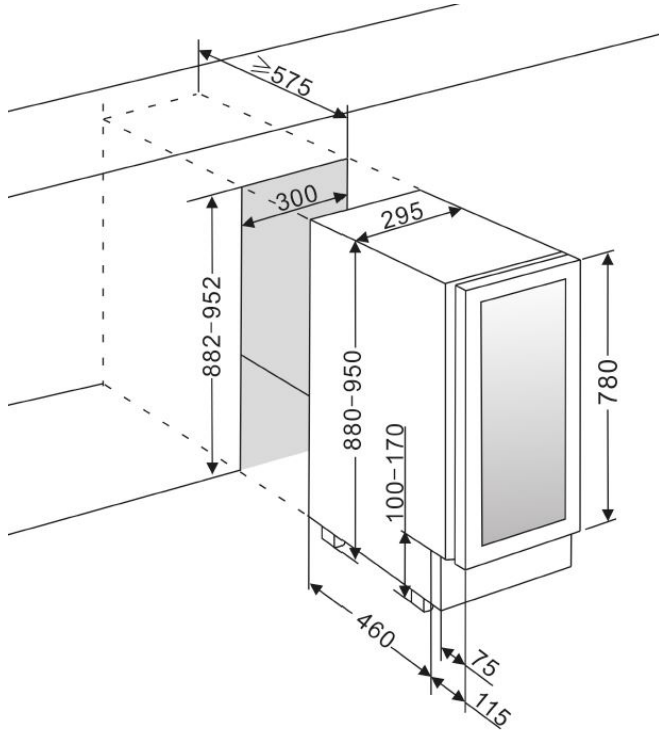
This equipment is designed to be used in an ambient temperature between 16°-32°C.

This appliance is intended to be used exclusively for the storage of wine.

Alcohol abuse is dangerous for health, please consume in moderation.

*Capacity given as an indication with 75cl Bordeaux traditional type bottles and measured with 5 shelves. Adding shelves reduce considerably the total capacity.

**Thanks to the Vinotag® application, benefit from a digital register of your wine cellar and be alerted of the peak dates of your wines. In partnership with Vivino, scan your bottle to access its pre-filled wine sheet.



> EQUIPMENTS INCLUDED

- 5 sliding wooden shelves (beech)
- 4 adjustable feet (height 7 cm)
- Anti-vibration system
- Removable ventilation grid

> TECHNICAL CHARACTERISTICS

- Energy class: G
- Annual electrical consumption: 145 kWh
- Climatic class: ST
- Noise level: 39 dB
- EEI: 0.00
- Voltage: 220-240 V
- Power input: 85 W
- Category: 2 - Wine cellar
- Type of gas: R600a

> SAFETY

- **Visual and audible alarms:** notify you when your attention is required

> VINOTAG® APPLICATION

Free wine cellar management application. Access a virtual representation of your wine cellar and a detailed inventory of its contents.

> LOGISTIC DATAS

Gross dimensions (WxDxH cm)	: 33,2 x 62,8 x 92,5
Net dimensions (WxDxH cm)	: 29,5 x 57,5 x 88
Gross weight (kg)	: 28.00
Net weight (kg)	: 26.00
Full truck (pcs)	: 0
Container (pcs)	20' : 145
	40' : 305
	40' HC : 305

Gencod 3595320107487

> COMPATIBLE ACCESSORIES

Only available in spare parts