



CBI36DBM

Wine Cellar service



Built-in column

GENERAL INFORMATION

Capacity : 36

Number of zones : 2

Operating temperature range : 5-20°C

Noise level : 37dB

Energy efficiency class : F

Climate class : SN/ST (10-38)

EPREL code : 2557128

Vinotag compatible : Yes

Product description

The wine cellar that elevates your tastings

This dual temperature zone wine cellar is specially designed to fit seamlessly into a dedicated 60 cm oven niche, offering an elegant and practical solution for wine enthusiasts.

Featuring a **matte black effect door with a sleek, contemporary design**, it integrates harmoniously into modern kitchens while effectively protecting your bottles.

It allows you to store your wines at two distinct temperatures, preserving the full richness of their aromas. Its compact and modern design ensures perfect integration into your space while providing optimal control of storage conditions.

The reversible door offers maximum installation flexibility, while compatibility with the Vinotag app allows you to manage your wine collection like a true professional. A refined combination of technology and design for your finest wines.

DUAL TEMPERATURE ZONE

Store and refresh all your wines at the correct temperature in the same cellar

REVERSIBLE DOOR

Adapt the direction of opening of the door to easily install the cellar in the location of your choice

LED LIGHT

LED lighting highlights the wine without harming it or disturbing its storage

VINOTAG COMPATIBLE

Free wine cellar management application. Access a virtual representation of your cellar and a detailed inventory

CBI36DBM

EAN-13 - 3595320108361

Capacity and Temperature

- **Number of bottles: 36**
 - Upper zone : 24
 - Lower zone : 12
- **Adjustable temperature: 5-20°C**
 - Upper zone : 5-20°C
 - Lower zone : 5-20°C

Door

Door color : black matte effect
Door glass color : Grey
Number of glass layers : 3
Anti-UV : Yes
Tempered glass : Yes
Lock : No
Reversible door : Yes
Handle type : Pulling bar

Security

Alarm : Temperature
Child lock : Yes
Temperature memory : No

Logistic

Net dimensions (WxDxH): 59.0 x 56.3 x 59.5
Gross dimensions (WxDxH): 65.0 x 65.0 x 65.5
Net weight (kg) : 33.2
Gross weight (kg) : 36.8

Technical Data

Energy class : F
Annual energy (KWh/a) : 102
Climate class : SN/ST (10-38)
Noise level : 37dB / C
Energy Efficiency Index : 124 %
Power input : 65.00 W
Voltage : 220-240 V
Length of power cable : 150 cm
Plug Type : E type
Type of gas : R600a
Gas charge : 25 g
Mainly recyclable product : Yes
Type of compressor : Standard
Main cooling system : Air moving system
Anti-vibration system : Yes

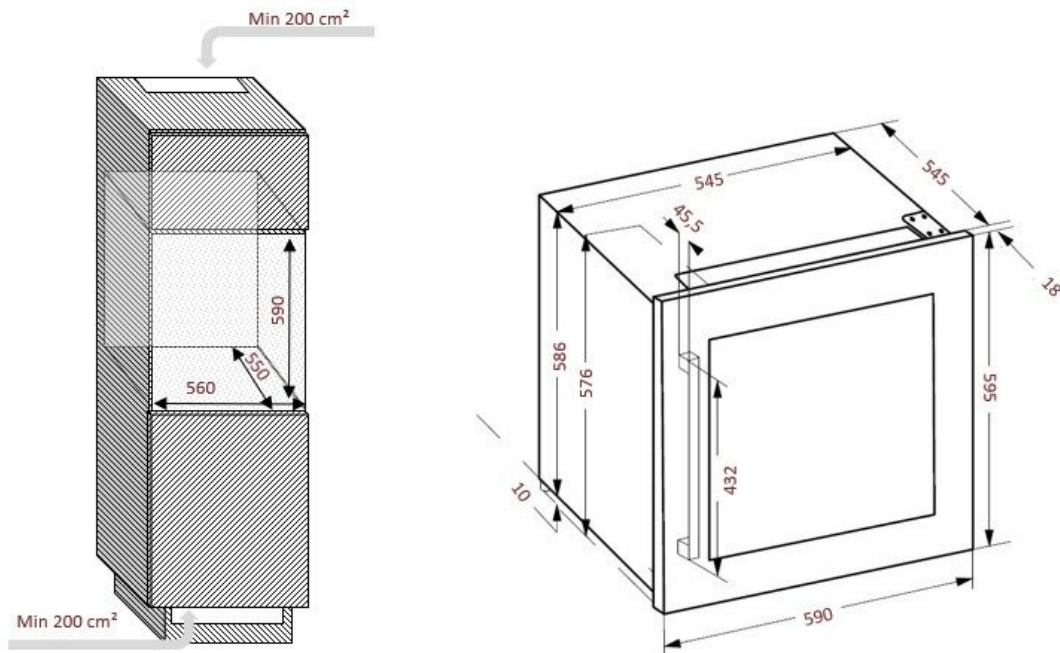
Light

Light source : LED
Dimmable light : no
Light switch : yes

Qty per 20' : 81
Qty per 40' : 162
Qty per 40 HC : 216
Customs code : 84185090

CBI36DBM

EAN-13 - 3595320108361



Accessories

- 3 shelves, wooden, sliding

Built-in information

Built-in dimensions (WxDxH) : 56.00 x 55.00 x 59.00

Installation warning : Hot air must be driven by the ventilation to the rear wall of the product and then expelled upwards. The ventilation channels shall be at least 180 square centimeters in cross-section. Warning: to ensure proper operation, the ventilation grilles must never be obstructed or covered.