

Hisense | COMMERCIAL
DISPLAY



ALL IN ONE LED DISPLAY

138" LED ALL-IN-ONE DISPLAY

Create the ultimate immersive AV experience for your boardroom with the Hisense All-In-One LED display. Delivering vivid detail and unrivalled colour depth, the All-in-one 138" LED display will provide finishing touch to any quality meeting space.



Brightness nits

With up to 1000 nits maximum brightness, the display panels can deliver amazingly vivid imagery anywhere during daytime and nighttime conditions.



160° High viewing angle

The extra wide 160° viewing angle is a perfect fit for large groups of people that will view the displays from diverse angles while passing by.



High refresh rate

With uniform color scale and brightness, dynamic performance of LED display could restore the true scenes without any ripples.



Effortless set-up and maintenance

LED display could reveal more details, including layers and colors, than traditional displays do.



Low brightness & High gray level

LED display could reveal more details, including layers and colors, than traditional displays do.



HRC12 grade multi-layer protection

Dustproof, waterproof, anti-static, anti-knock and anti-salt spray.



Scratch Resistant
Surface Protection



Cinema Grade DCI-P3
Colour Gamut



Quick Installation &
Front Maintenance



Zero Noise
& Low Heat



Front facing
USB interface

High Quality Audio



Dedicated
Accessories



Power Saving
Mode





Front Maintenance & Easy Installation
Easy access front maintenance of the display with no cable between modules & cabinets.



UK 3 pin plugs also available

Simple power connection
No distribution box and no need for complex power connections.



Multiple Installation Options
Designed to be installed either on a trolley/motorised stand or wall mounted.

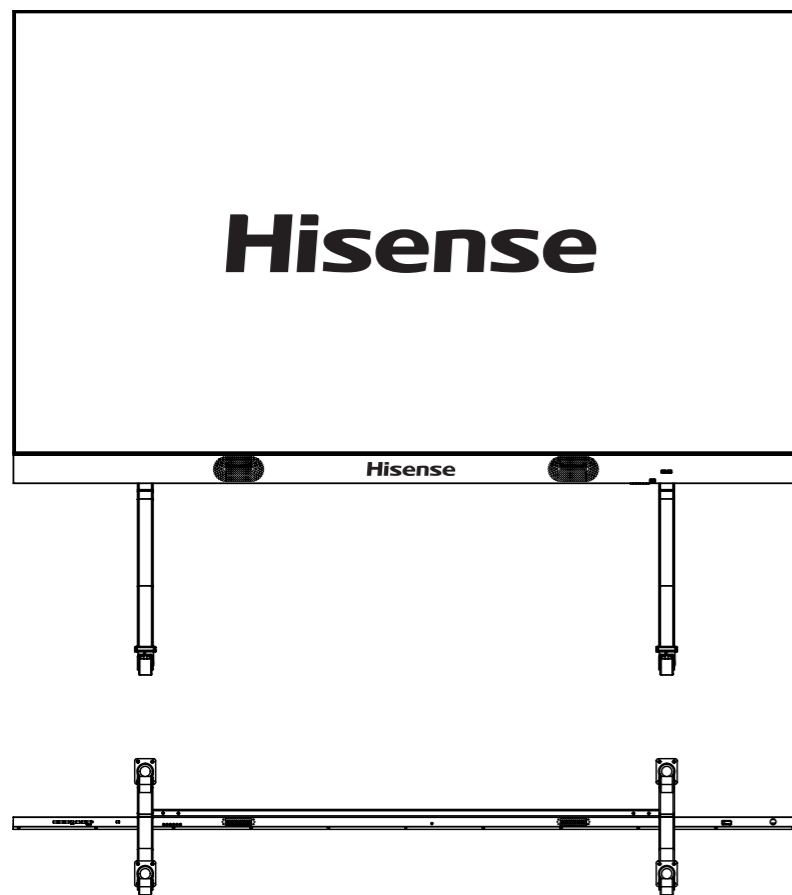
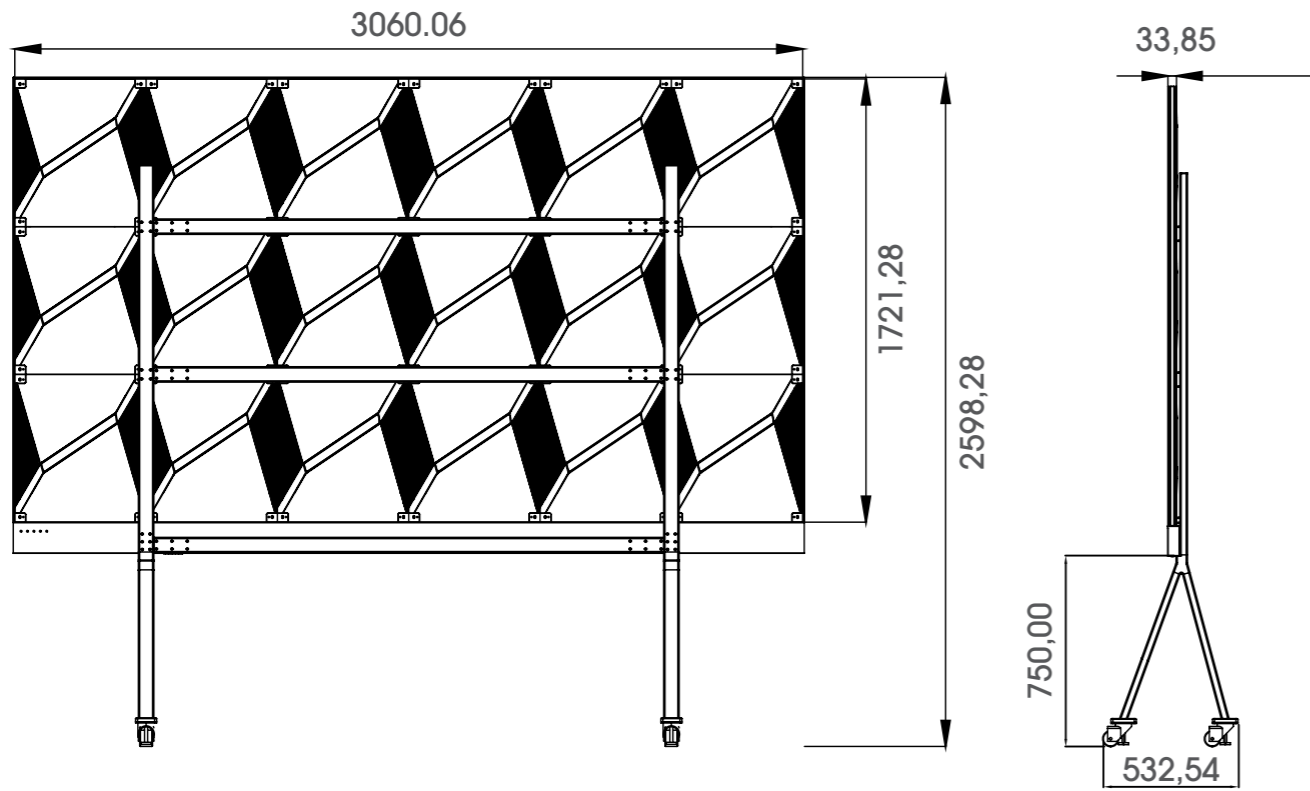
FEATURES

- 7000:1 high contrast ratio
- Seamless Splicing
- HRC12 grade multi-layer protection dustproof, waterproof, anti-static, anti-knock, anti-salt spray
- Multi platform; Windows / IOS / Android
- Wireless screen transmission
- 160° high viewing angle
- Install on a trolley, wall mount or motorised mount
- Cinema grade colour gamut
- Authentic, natural colour balance
- Effectively reduction of harmful blue light
- High-quality sound system

ALL IN ONE SERIES SPECIFICATIONS

ALL IN ONE SERIES		
Physical Parameter	Pixel Pitch	1.59 mm
	Pixel Configuration	SMD copper1212
	Screen Resolution (W x H)	1920 x 1080
	Module Dimensions (W x H)	127.5 x 191.25 mm
	No. of Modules Per Screen (W x H)	24 x 9 (Total 216)
	Screen Dimensions (W x H x D)	3060 x 1722 x 33 mm
	Panel Dimensions (W x H x D)	510 x 573.75 x 33 mm
	Weight (per panel/per screen)	≤ 7.5Kg / 195Kg
	Pixel Density	393,680 pixels/m ²
	Flatness Of Cabinet	± 0.1 mm
	Cabinet Material	Aluminium Diecasting
Gray Level	14 bits	
Aspect Ratio	16:9	
Service Access	Front	
Optical Parameter	Brightness (adjustable)	500 (0-1000 Adjustable)
	Contrast Ratio	7,000 : 1
	Visual Viewing Angle (H x V)	160° x 160°
	Brightness Uniformity	95%
	Color Uniformity	± 0.003 Cx,Cy
	Processing Depth	16 bits
	Color Temperature - Default (Adjustable)	6500 ± 200 K (2,000 ~ 9,300 K)
Electrical Parameter	Power Supply Voltage	100 - 240 V
	Average Power Consumption (W/ Screen)	≤ 1400
	Max Power Consumption (W / Screen)	≤ 2800
	Refresh Rate	3,840 Hz
Operation Conditions	Operating Temp/Humidity	-20 - 40 °C/ 10% - 90%RH (no frost)
	Storage Temp/Humidity	-20 - 40 °C/ 10% - 65%RH (no frost)
	IP Rating	IP50
	Expected LED Lifetime (Max)	100,000 Hrs
Speaker	Built-in	3.5-mm AUDIO internal sound system connector
	External	3.5-mm AUDIO external sound system connector (prior to the built-in sound system connector)
System	OS	Android 8.0
	CPU	64-bit quad-core 1.7 GHz CPU
	GPU	Mali T820
	DDR	4GB
	ROM	16GB eMMC5.1 (Standard)
	Language	English
Package (Wooden Box / Min)	Packing Method	Wooden Box (9 in 1 box)
	Packaging Dimensions (W x H x D)	675 x 625 x 635 mm
	Packaging Weight (Total)	14 kg
Package (Wooden Box / Max)	Packing Method	Wooden Box (For structures)
	Packaging Dimensions (W x H x D)	3134 x 700 x 300 mm
	Packaging Weight (Total)	35 kg
Curve Installation	Curve Support (-:concave +: convex)	Flat, Flat
Certification		CCC, CE, CB
Controller		Built-in

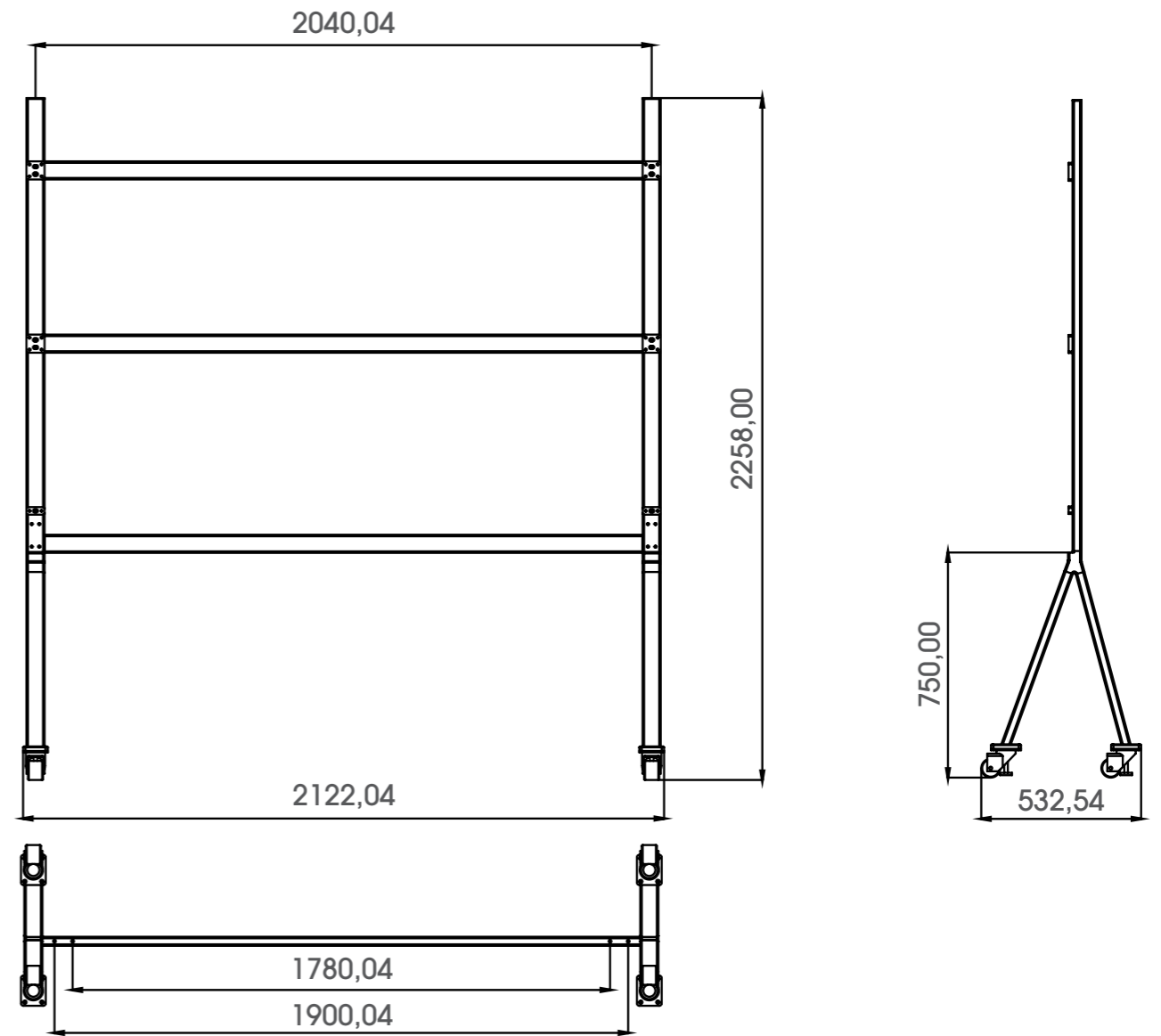
DISPLAY DIMENSIONS



ALL-IN-ONE LED DISPLAY

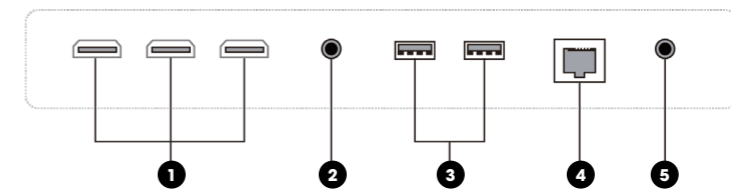
ALL IN ONE SERIES

STAND DIMENSIONS



CONNECTIVITY

- 1 HDMI IN X 3
- 2 SPDIF
- 3 USB x 2
- 4 LAN
- 5 AUDIO





Hisense Commercial Display
Email: sales@hisense-b2b.com
Web: www.hisense-b2b.com

Hisense