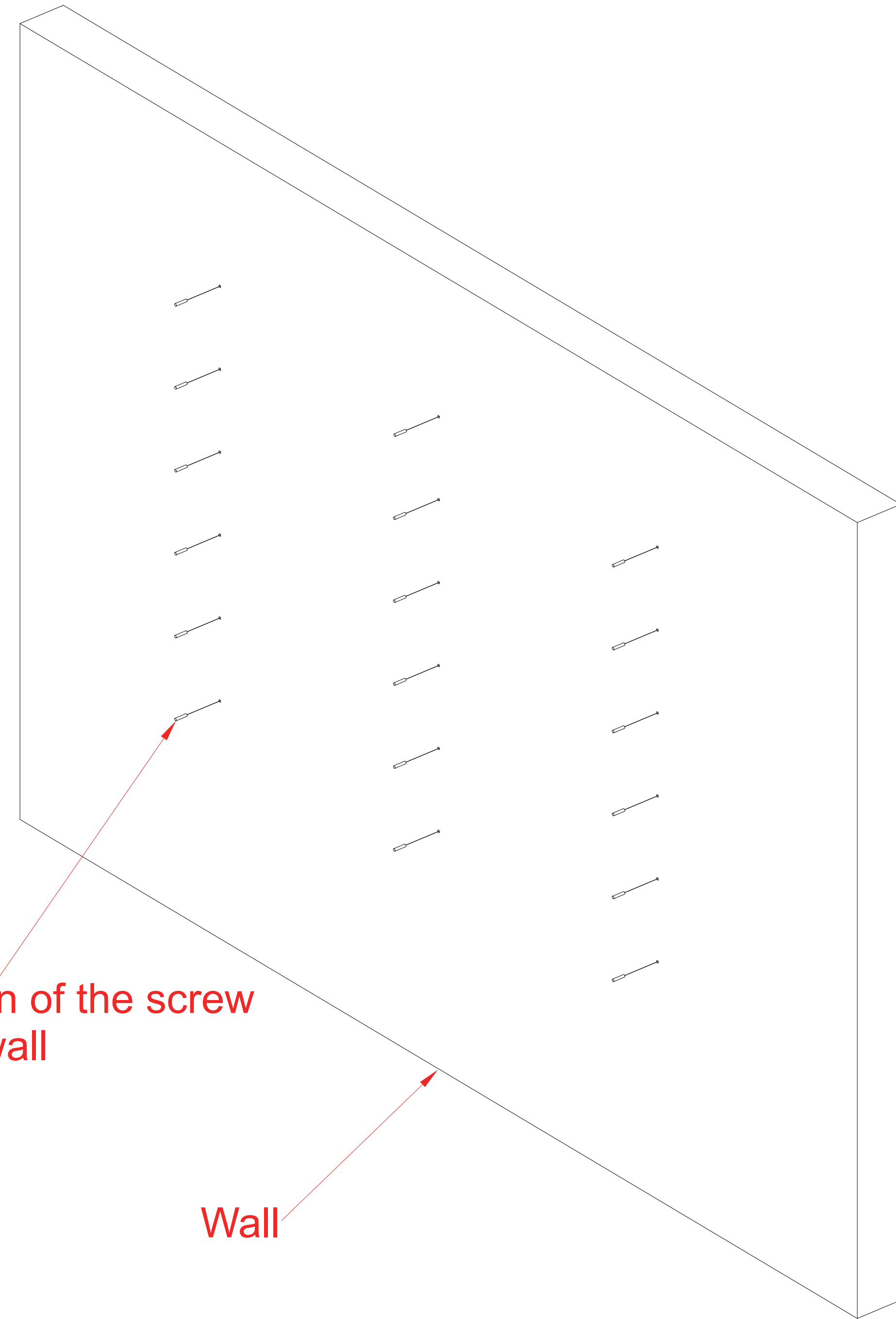


18-M10 Expansion of the screw
Wall punch size



18-M10 Expansion of the screw
In the wall

Wall

PROJECT: TITLE

E 6*6 LED display

REVISIONS:

REV 1 REV 2

REV 3 REV 4

REV 5 REV 6

APPROVED

VERIFIED

CHECKED

DESIGNER

DRAWN

SCALE 1:1

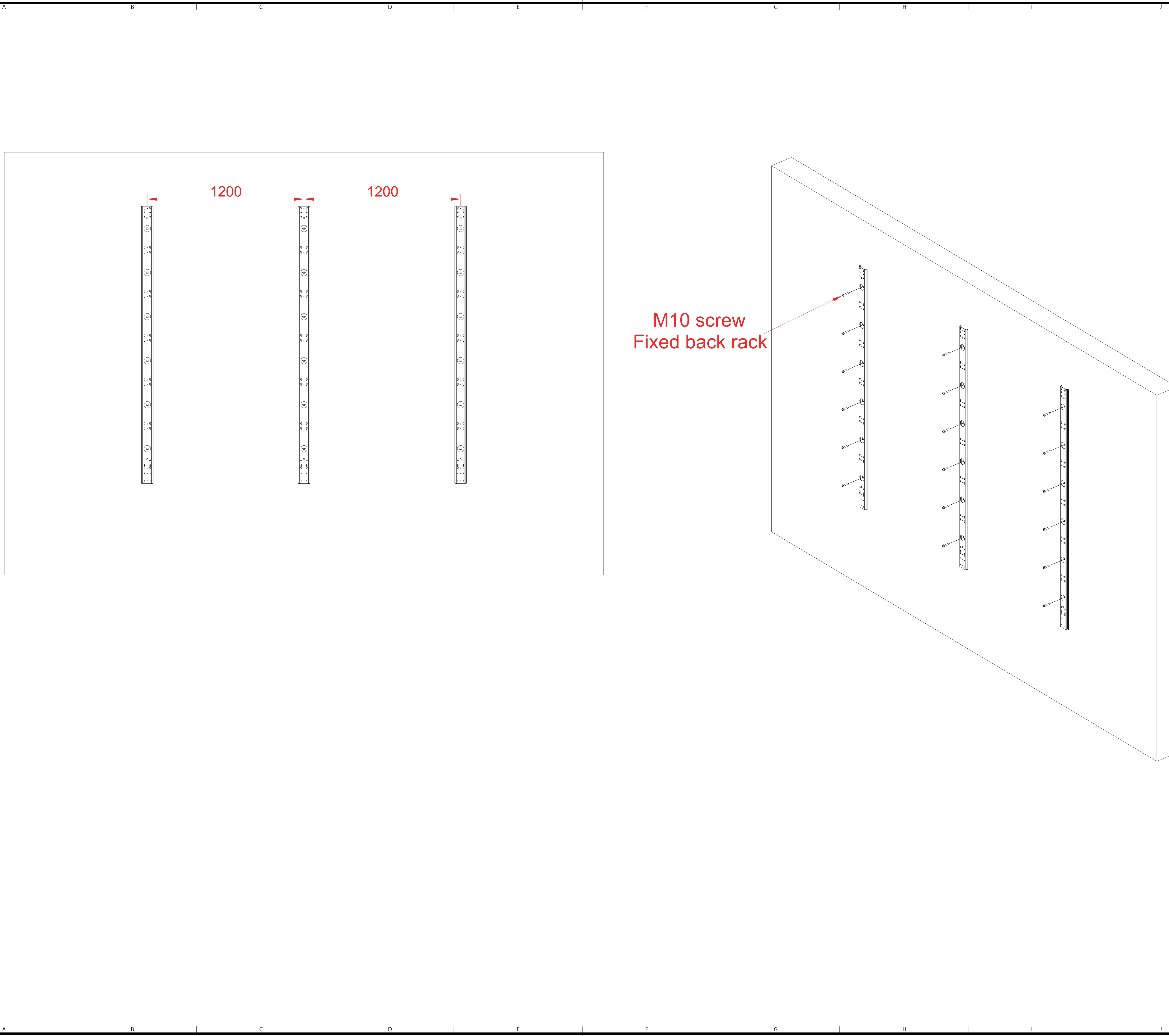
DATE 2021.03.29

This drawing is copyright
Contractors shall work from figured dimensions only
Contractors must check all dimensions on site
Contractors must be reported immediately to architects

PROJECT INFO.

MODULE.

PROJECT No.



PROJECT: TITLE

E 6*6 LED display

REVISIONS:

REV 1 REV 2

REV 3 REV 4

REV 5 REV 6

APPROVED

VERIFIED

CHECKED

DESIGNER

DRAWN

SCALE 1:1

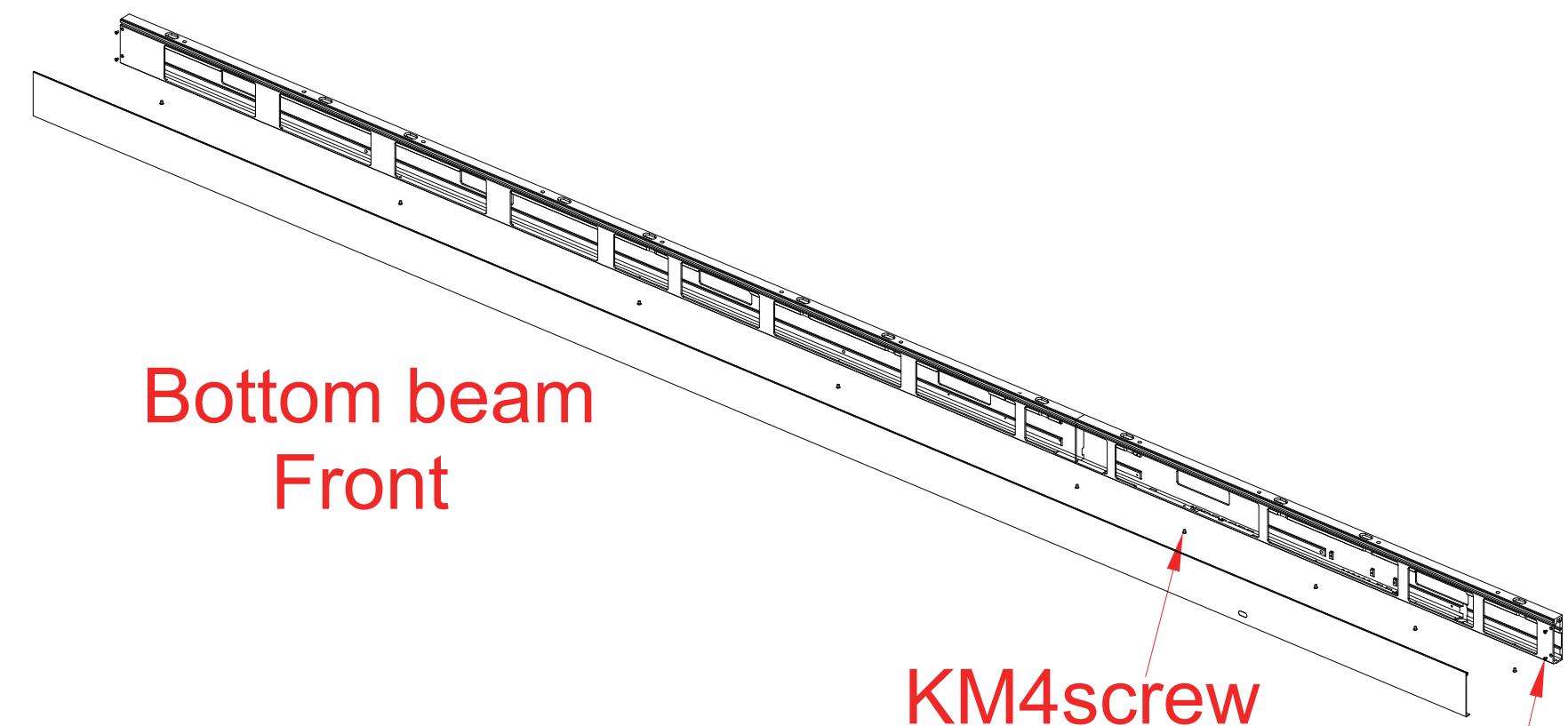
DATE 2021.03.29

This drawing is copyright
Contractors shall work from figured dimensions only
Contractors must check all dimensions on site
Contractors must be reported immediately to architects

PROJECT INFO.

MODULE.

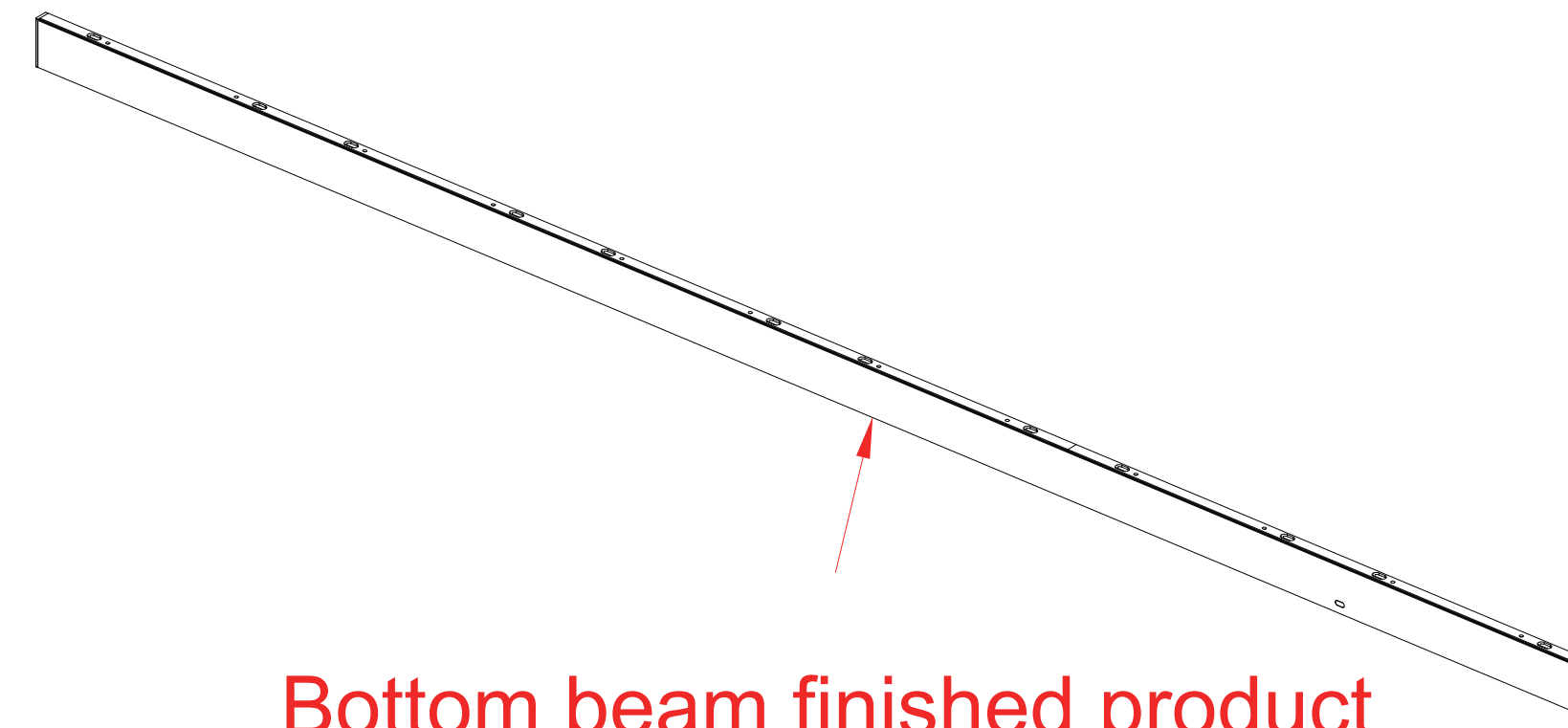
PROJECT No.



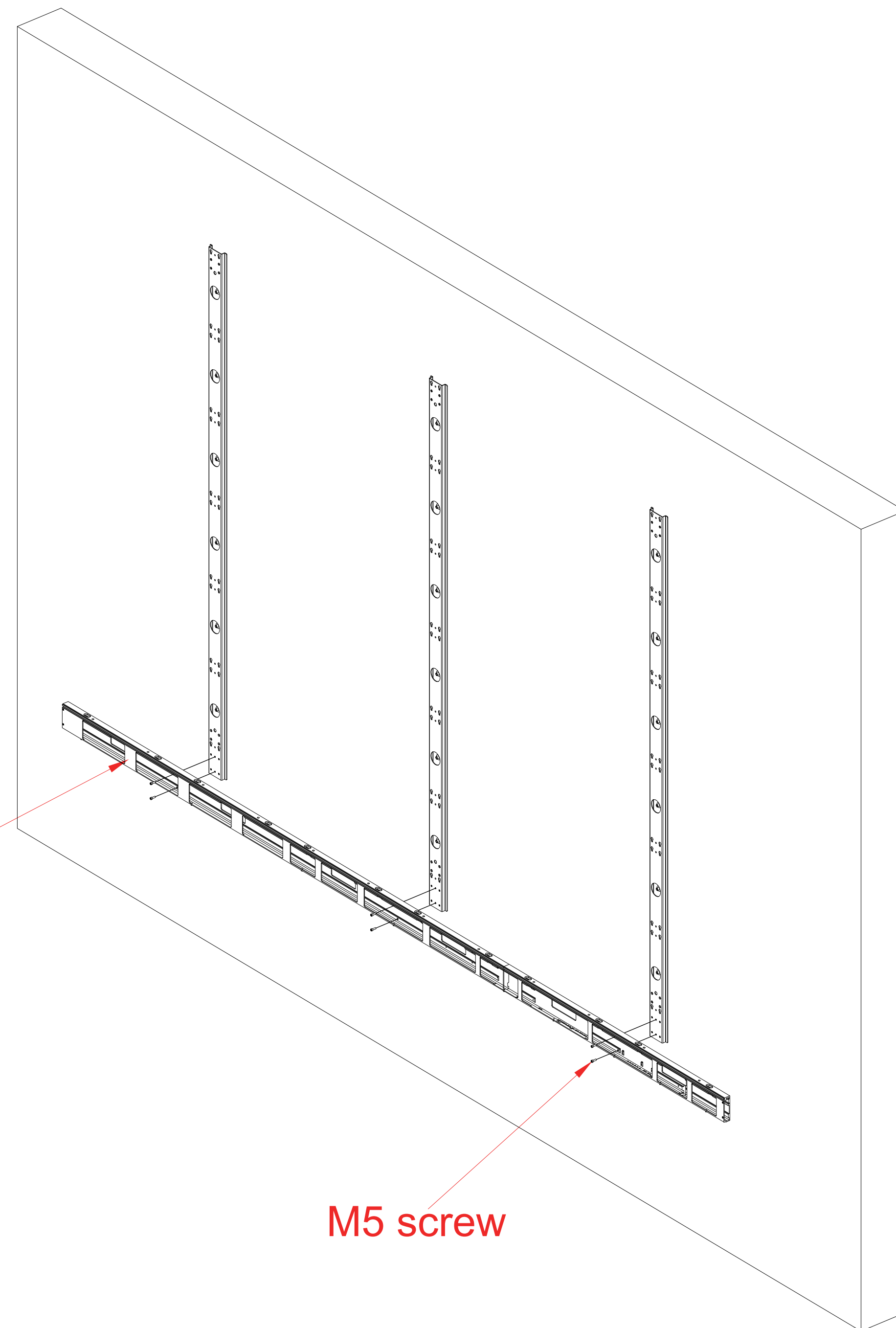
Bottom beam
Front

KM4screw
fixed
front
bottom
beam

KM3 fixed
angle
block

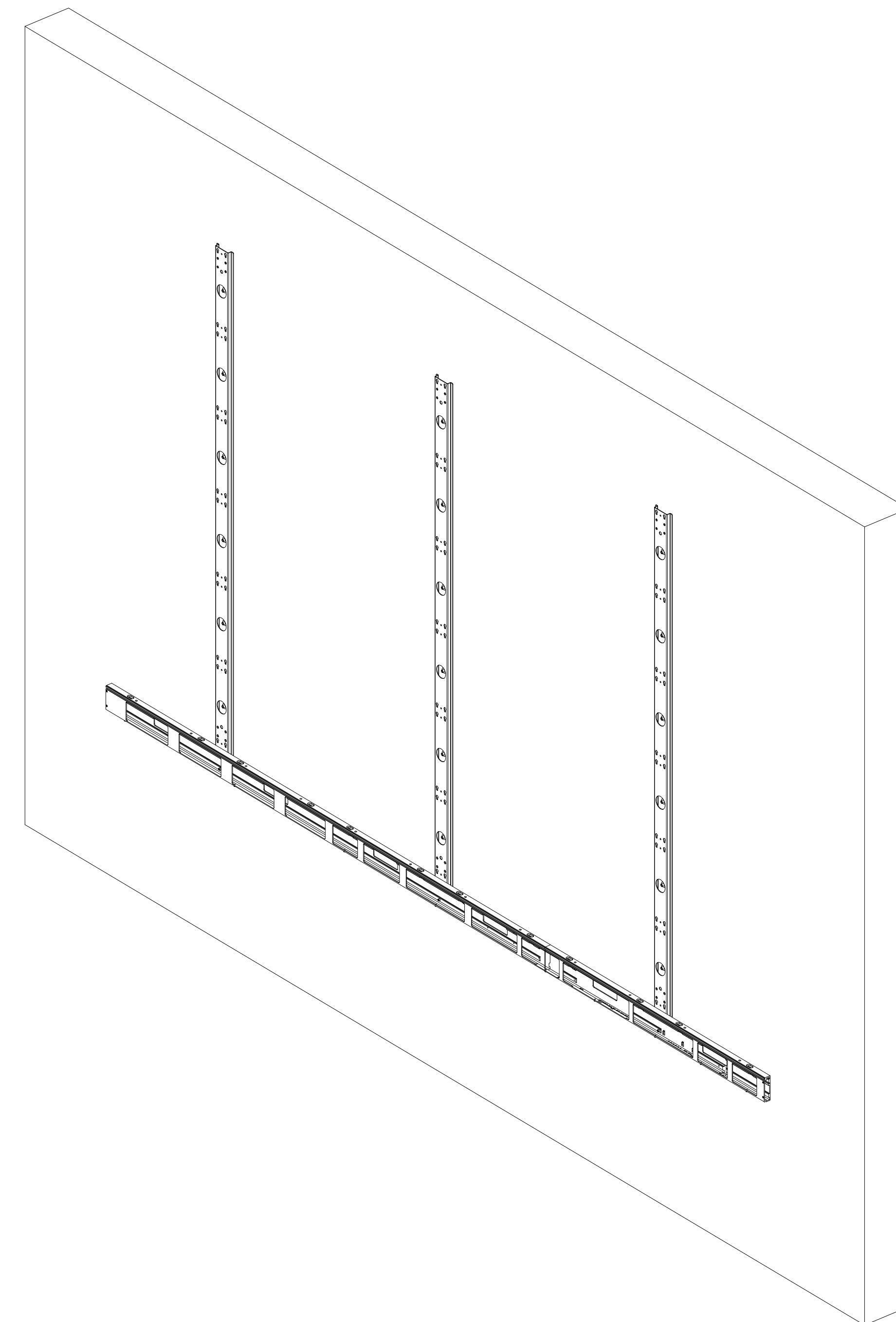


Bottom beam finished product



Bottom beam

M5 screw



PROJECT:TITLE

E 6*6 LED display

REVISIONS:

REV 1 REV 2

REV 3 REV 4

REV 5 REV 6

APPROVED

VERIFIED

CHECKED

DESIGNER

DRAWN

SCALE 1:1

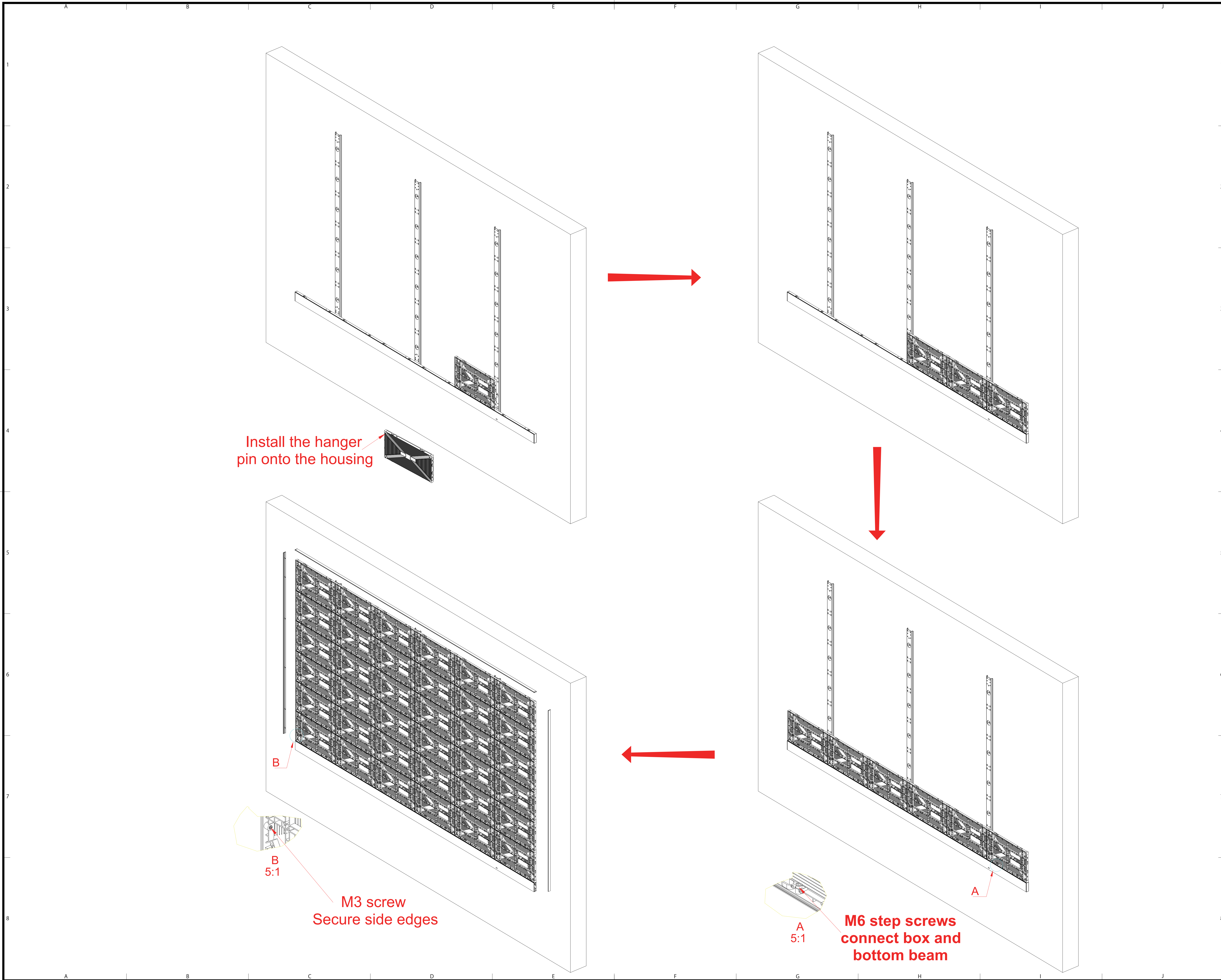
DATE 2021.03.29

This drawing is copyright
Contractors shall work from figured dimensions only
Contractors must check all dimensions on site
Contractors must be reported immediately to architects

PROJECT INFO.

MODULE.

PROJECT No.



Install the hanger pin onto the housing

M3 screw
Secure side edges

M6 step screws
connect box and
bottom beam

PROJECT: TITLE

E 6*6 LED display

REVISIONS:

REV 1 REV 2

REV 3 REV 4

REV 5 REV 6

APPROVED

VERIFEID

CHECKED

DESIGNER

DRAWN

SCALE 1:1

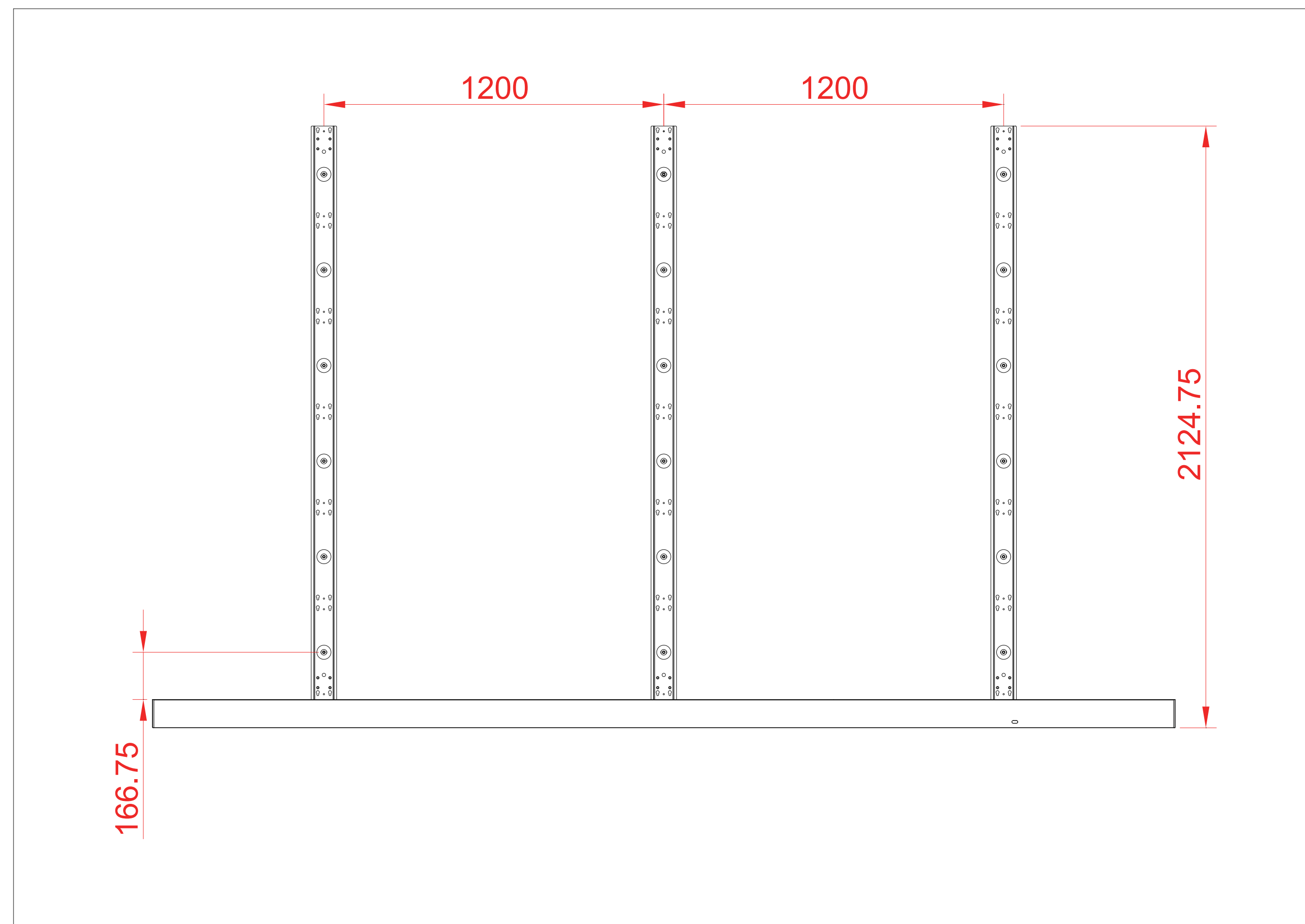
DATE 2021.03.29

This drawing is copyright
Contractors shall work from figured dimensions only
Contractors must check all dimensions on site
Contractors must be reported immediately to architects

PROJECT INFO.

MODULE.

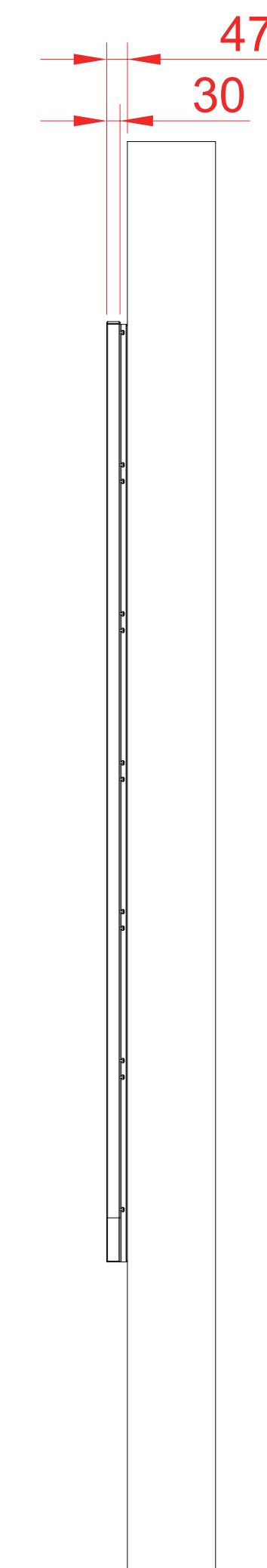
PROJECT No.



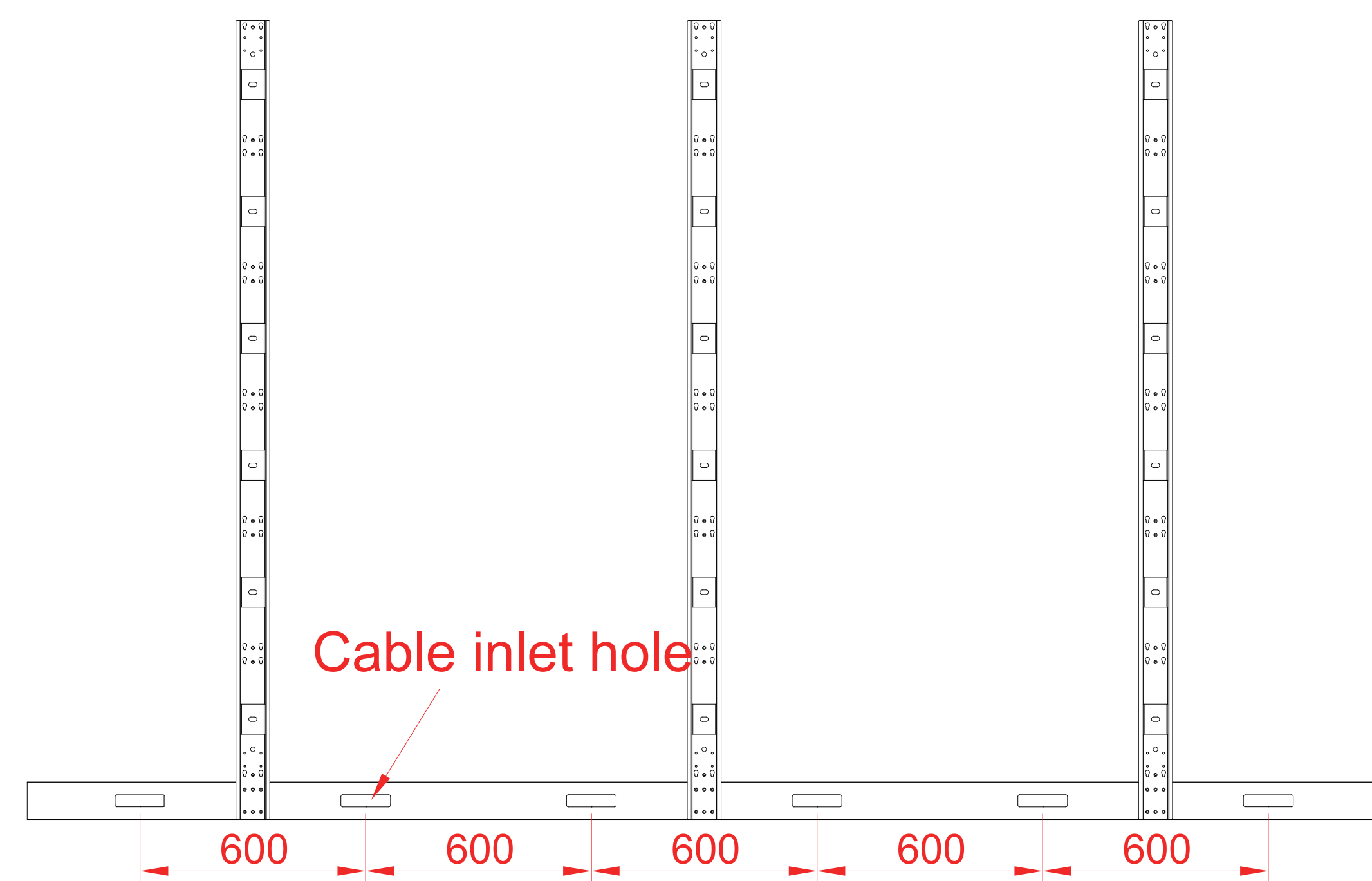
Front View



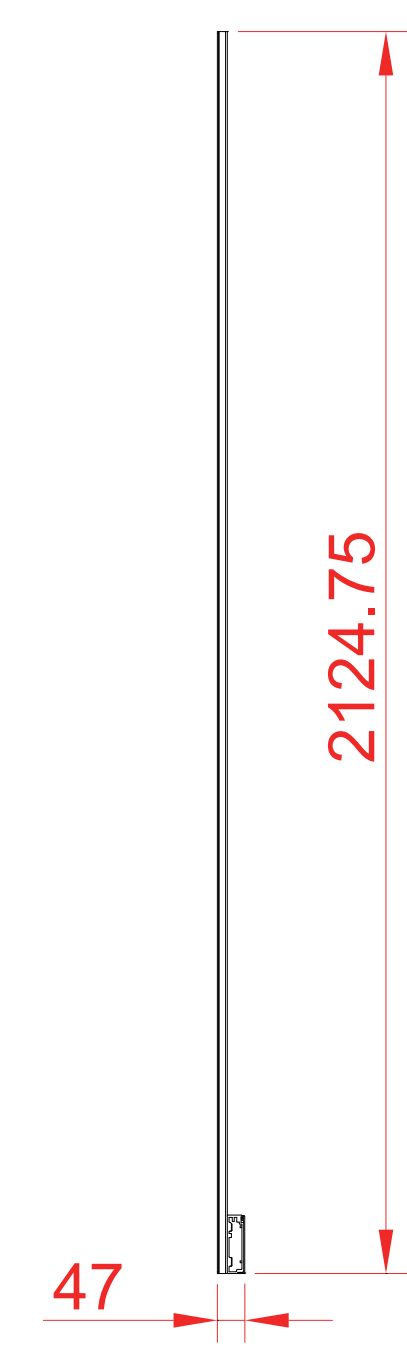
LED display screen is
800mm off the ground



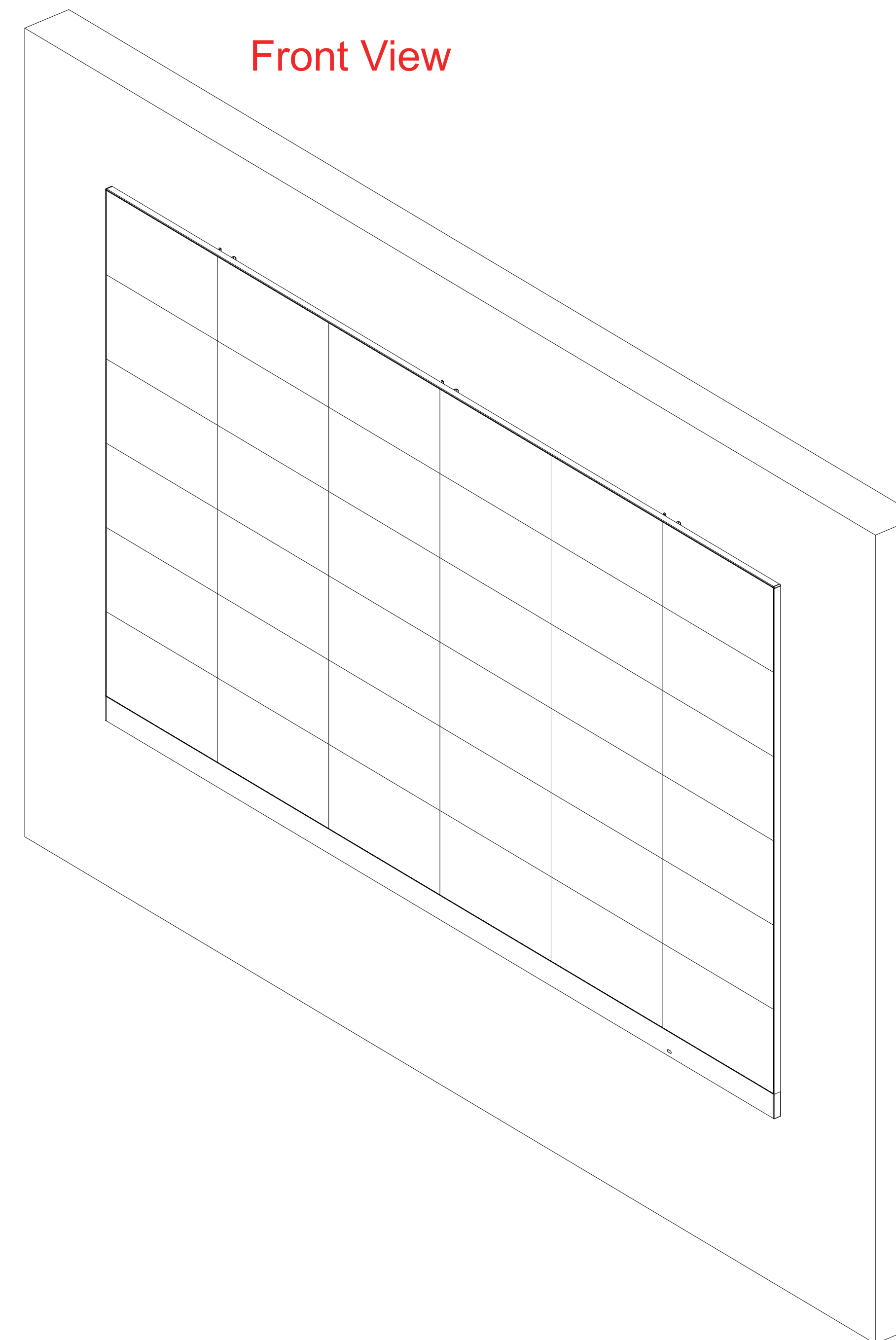
Side View



Back View



Side View



Front View

PROJECT:TITLE

E 6*6 LED display

REVISIONS:

REV 1 REV 2

REV 3 REV 4

REV 5 REV 6

APPROVED

VERIFEID

CHECKED

DESIGNER

DRAWN

SCALE 1:1

DATE 2021.03.29

This drawing is copyright
Contractors shall work from figured dimensions only
Contractors must check all dimensions on site
Contractors must be reported immediately to architects

PROJECT INFO.

MODULE.

PROJECT No.