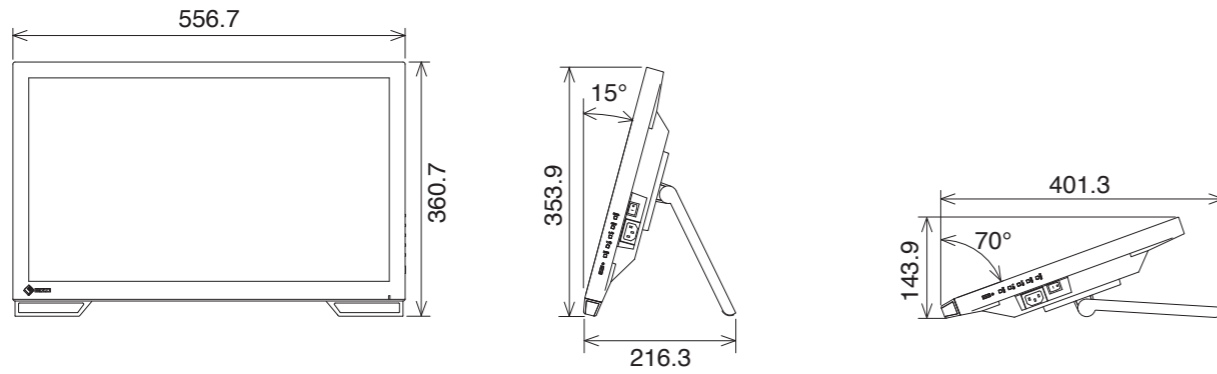
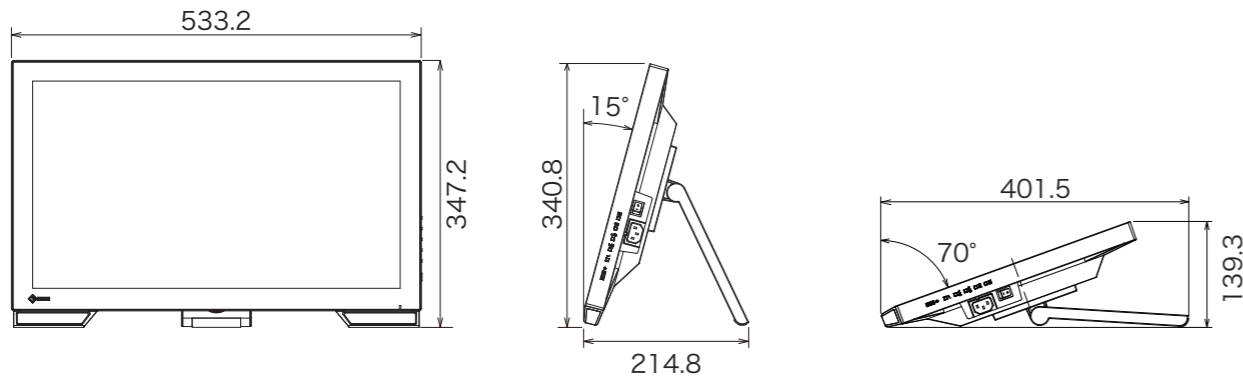


Dimensions (Unit: mm)

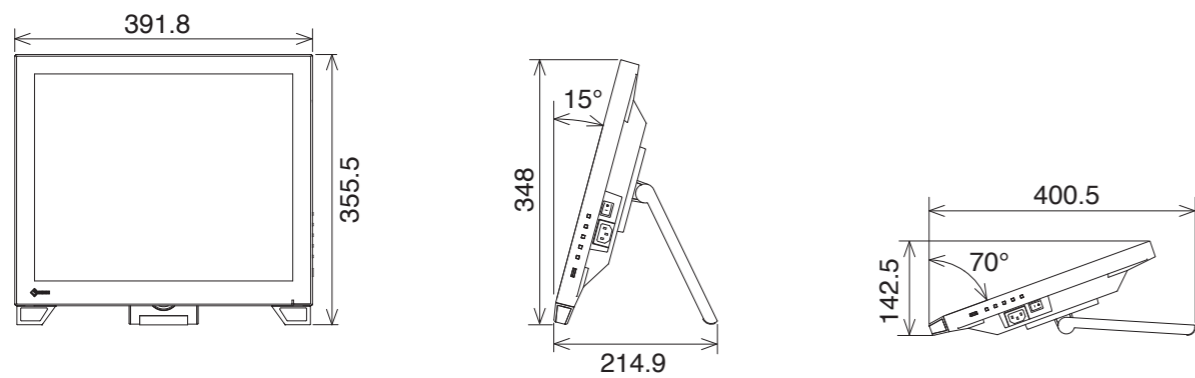
FDF2382WT



FDF2182WT



FDS1782T



Touch Panel Monitors
DuraVision

FDF2382WT / FDF2182WT / FDS1782T



Seamless Touch Experience with a Highly Durable Screen for Industrial, Medical, and Other Markets

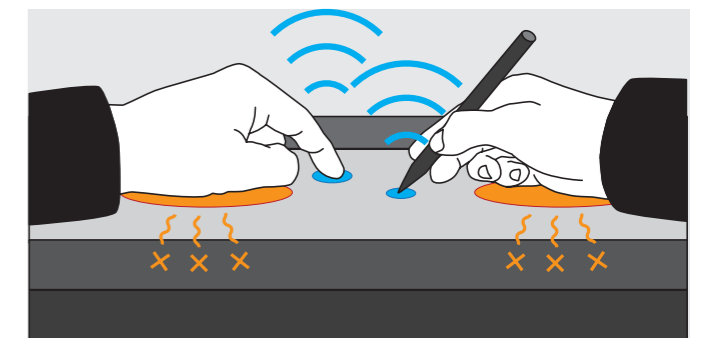
Projected Capacitive Touch Panel

The DuraVision FDF2382WT, FDF2182WT and FDS1782T feature projected capacitive (PCAP) touch technology which is more durable and reliable compared to other touch technologies. Both monitors accept touch input from a bare finger or dedicated stylus.



Multitouch Operation

The screen can detect up to 10 simultaneous touches so you can easily operate a variety of applications in almost any environment. Furthermore, compared to 5-point multitouch the screen has a higher touch sensitivity, making writing with a finger or stylus smoother. The monitors are equipped with palm rejection which allows you to rest your hand directly on the screen without causing any unintended touch input.



Palm rejection minimum activation area is 2 x 2 cm for FDF2382WT / FDS1782T and 4 x 4 cm for FDF2182WT.

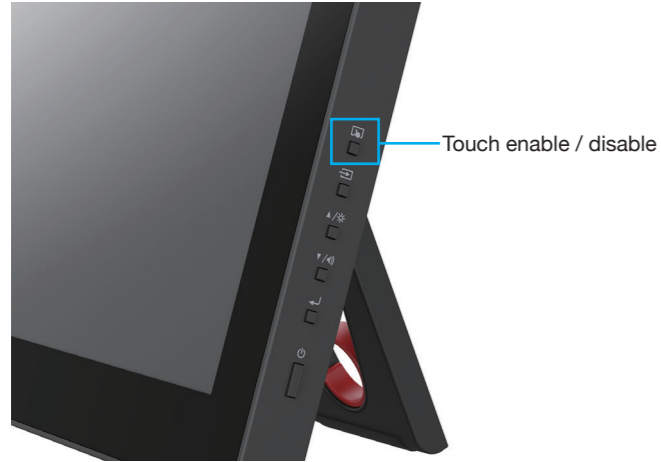
EIZO Corporation

153 Shimokashiwano, Hakusan, Ishikawa 924-8566 Japan
Tel +81 76 277 6792 Fax +81 76 277 6793
www.eizoglobal.com

EIZO, the EIZO logo, and DuraVision are registered trademarks of EIZO Corporation in Japan and other countries. The terms HDMI and HDMI High-Definition Multimedia Interface, and the HDMI Logo are trademarks or registered trademarks of HDMI Licensing, LLC in the United States and other countries. All other company names, product names, and logos are trademarks or registered trademarks of their respective companies.

Touch Detection Control

Users can easily turn touch detection on or off by pushing the button conveniently located on the monitor's side.

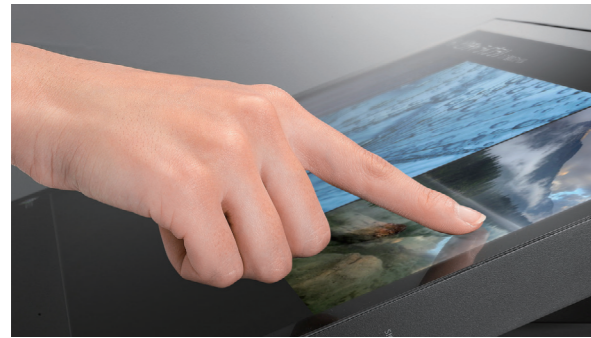


Sensitivity Calibration

The monitors are equipped with technology which calibrates the touch sensitivity to minimize incorrect touch response due to environmental factors and electromagnetic noise. This ensures that the screen maintains accurate touch interaction during use.

Fully Flat Design

The fully flat surface provides a seamless touch experience to the edges of the screen. This makes swiping motions and scrolling a breeze. The smooth surface also allows for easy cleaning.



Flicker-Free Viewing

Due to the way brightness is controlled on LED backlights, a small number of people perceive flicker which causes eye fatigue. The monitors relieve eye fatigue by regulating brightness to make flicker unperceivable.

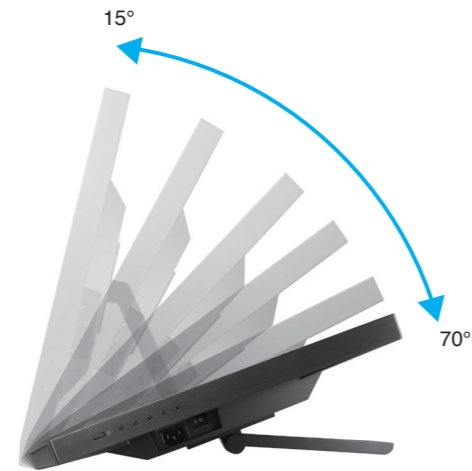


High Durability

The touch screens have a non-scratch surface made of reinforced glass, making them durable enough to withstand long-term use in a range of environments.

Reclining Stand

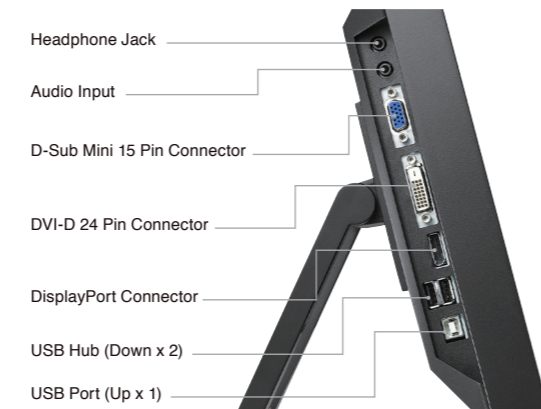
The equipped stand provides flexible positioning to allow the monitor to rest on your desk like a laptop and recline back to your desired angle. This makes it easy to place the monitor in the ideal position for comfortable use in any environment.



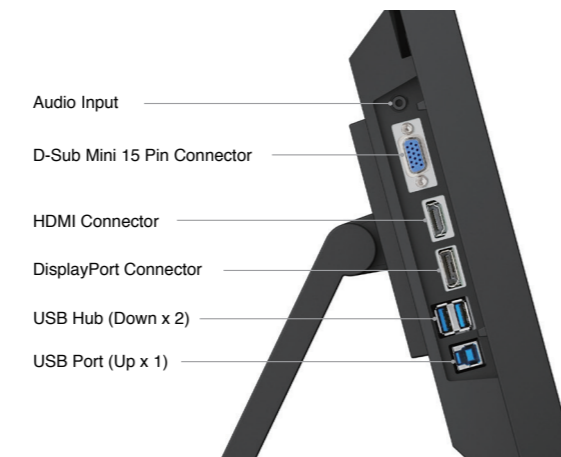
Complete Connection

The monitors are equipped with a range of connectivity options which are conveniently located on the side for easy access.

fdf2382wt / fds1782t



fdf2182wt



Specifications

Model	fdf2382wt	fdf2182wt	fds1782t
Product image			
Model Variations	With Stand, Without Stand	With Stand, Without Stand	With Stand, Without Stand
Cabinet Color	Gray, Black	Gray, Black	Gray, Black
Panel	Type: IPS	Type: VA	Type: IPS
Backlight	LED	LED	LED
Size	23" / 58 cm	21.5" / 54.7 cm	17" / 43 cm
Native Resolution	1920 x 1080 (16:9 aspect ratio)	1920 x 1080 (16:9 aspect ratio)	1280 x 1024 (5:4 aspect ratio)
Viewable Image Size (H x V)	509.2 x 286.4 mm	476.6 x 268.1 mm	337.9 x 270.3 mm
Pixel Pitch	0.265 x 0.265 mm	0.248 x 0.248 mm	0.264 x 0.264 mm
Display Colors	16.77 million	16.77 million	16.77 million
Viewing Angles (H / V, typical)	178°, 178°	178°, 178°	178°, 178°
Brightness (typical)	260 cd/m ²	230 cd/m ²	350 cd/m ²
Contrast Ratio (typical)	1000:1	5000:1	1000:1
Response Time (typical)	11 ms (gray-to-gray)	25 ms (black-white-black)	11 ms (gray-to-gray)
Touch Panel	Type: Projected Capacitive	Type: Projected Capacitive	Type: Projected Capacitive
Communication Protocol	USB	USB	USB
Surface Hardness	5 H	7 H	5 H
Compatible OS	Windows 10 / 8.1 (64-bit, 32-bit)	Windows 10 / 8.1 (64-bit, 32-bit)	Windows 10 / 8.1 (64-bit, 32-bit)
Video Signals	Input Terminals: DisplayPort (HDCP1.3), DVI-D (HDCP1.4), D-Sub mini 15 pin	Input Terminals: DisplayPort (HDCP1.3), HDMI (HDCP1.4), D-Sub mini 15 pin	Input Terminals: DisplayPort (HDCP1.3), DVI-D (HDCP1.4), D-Sub mini 15 pin
Digital Scanning Frequency (H / V)	DVI: 31 - 64 kHz, 59 - 61 Hz (VGA Text: 69 - 71 Hz) DisplayPort: 31 - 68 kHz, 59 - 61 Hz (VGA Text: 69 - 71 Hz)	DisplayPort: 31 - 68 kHz / 59 - 61 Hz HDMI: 31 - 68 kHz / 49 - 51 Hz, 59 - 61 Hz	31 - 64 kHz, 59 - 61 Hz (VGA Text: 69 - 71 Hz)
Analog Scanning Frequency (H / V)	31 - 81 kHz, 55 - 76 Hz	31 - 81 kHz, 55 - 76 Hz	31 - 81 kHz, 55 - 76 Hz
Sync Formats	Separate	Separate	Separate
USB	Upstream: USB 2.0: Type-B Downstream: USB 2.0: Type-A x 2	Upstream: USB 3.1 Gen 1: Type-B Downstream: USB 3.1 Gen 1: Type-A x 2	Upstream: USB 2.0: Type-B Downstream: USB 2.0: Type-A x 2
Audio	Speakers: 1.0 W + 1.0 W Input Terminals: Stereo mini jack, DisplayPort Output Terminals: Stereo mini jack	Speakers: 1.0 W + 1.0 W Input Terminals: Stereo mini jack, DisplayPort, HDMI Output Terminals: Stereo mini jack	Speakers: 1.0 W + 1.0 W Input Terminals: Stereo mini jack, DisplayPort Output Terminals: Stereo mini jack
Power	Power Requirements: AC 100 - 240 V, 50 / 60 Hz Maximum Power Consumption: 42 W Typical Power Consumption: 14 W Power Save / Standby Mode: Less than 0.7 W	Power Requirements: AC 100 - 240 V, 50 / 60 Hz Maximum Power Consumption: 42 W Typical Power Consumption: 10 W Power Save / Standby Mode: 1.2 W or less	Power Requirements: AC 100 - 240 V, 50 / 60 Hz Maximum Power Consumption: 37 W Typical Power Consumption: 10 W Power Save / Standby Mode: Less than 0.7 W
Features & Functions	Preset Modes: User1, User2, sRGB	Preset Modes: User1, User2, sRGB	Preset Modes: User1, User2, sRGB
Physical Specifications	Dimensions (Landscape, W x H x D): 556.7 x 143.9 - 353.9.7 x 216.3 - 401.3 mm Dimensions (Without Stand, W x H x D): 556.7 x 339.2 x 54 mm Net Weight: 6.6 kg / 14.5 lbs Net Weight (Without Stand): 6 kg / 13.2 lbs Tilt: 15° - 70° Hole Spacing (VESA Standard): 100 x 100 mm	Dimensions (Landscape, W x H x D): 533.2 x 139.3 - 340.8 x 214.8 - 401.5 mm Dimensions (Without Stand, W x H x D): 533.2 x 325.7 x 54 mm Net Weight: 5.6 kg / 12.3 lbs Net Weight (Without Stand): 5.1 kg / 11.2 lbs Tilt: 15° - 70° Hole Spacing (VESA Standard): 100 x 100 mm	Dimensions (Landscape, W x H x D): 391.8 x 142.5 - 348 x 214.9 - 400.4 mm Dimensions (Without Stand, W x H x D): 391.8 x 331 x 54 mm Net Weight: 4.8 kg / 10.6 lbs Net Weight (Without Stand): 4.3 kg / 9.5 lbs Tilt: 15° - 70° Hole Spacing (VESA Standard): 100 x 100 mm
Operating Temperature	5 - 35°C	5 - 40°C	5 - 35°C
Operating Humidity (R.H., non condensing)	20 - 80%	20 - 90%	20 - 80%
Certifications & Standards (Please contact EIZO for the latest information.)	CB, CE, cTUVus, FCC-B, CAN ICES-3 (B), VCCI-B, BSMI, CCC, RCM, EAC, RoHS, WEEE, China RoHS	CB, CE, cTUVus, FCC-B, CAN ICES-3 (B), TÜV/S, PSE, VCCI-B, CCC, RCM, EAC, RoHS, WEEE, China RoHS	CB (IEC60601-1), CB, CE, cTUVus, FCC-B, CAN ICES-3 (B), VCCI-B, BSMI, CCC, RCM, EAC, RoHS, WEEE, China RoHS
Supplied Accessories (May vary by country. Please contact EIZO for details)	AC power cord (2 m), USB Type-A - USB Type-B cable (1.8 m), Audiocable (2.1 m), Cleaning cloth, CD-ROM (PDF user's manual, Touchpanel driver, TPOffset), Mask Sheet, Setup guide	AC power cord (2 m), USB Type-A - USB Type-B cable (2 m), Cleaning cloth, CD-ROM, VESA mounting screw x 4 (fdf2182wt-f), Mask sheet x 2 (fdf2182wt-l), setup guide	AC power cord (2 m), USB Type-A - USB Type-B cable (1.8 m), Audiocable (2.1 m), Cleaning cloth, CD-ROM (PDF user's manual, Touchpanel driver, TPOffset), Mask Sheet, Setup guide
Warranty	3 years	3 years, 24-hour use	3 years