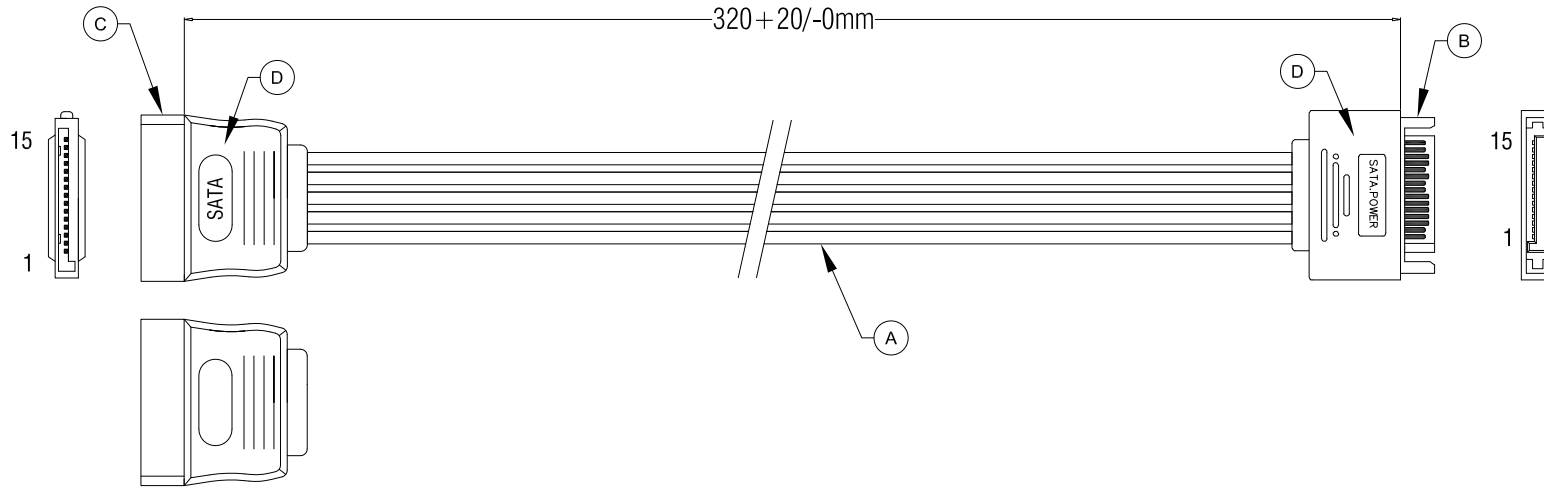


RoHS Compliant



WIRE ADDRESS

P1	Color	P2
1+2+3	Orange	1+2+3
4+5+6	Black	4+5+6
7+8+9	Red	7+8+9
10+11+12	Black	10+11+12
13+14+15	Yellow	13+14+15

Electrical Test:

- 1.100% TEST OPEN SHORT MIS-WIRE.
- 2.CONTACT RESISTANCE:3Ω MAX.
- 3.INSULATION RESISTANCE:5MΩ MIN.
- 4.HI-POT:300V DC/10MS.

D	45P BLACK PVC		G	ROLINE SATA Power Extension Cable	
C	SATA 15P FEMALE (Black Insulator)	1	PCS	Item	11.03.1042
B	SATA 15P MALE (Black Insulator)	1	PCS	Draw	Sam Date: 2022.09.13
A	UL1007 18# WIRE(Orange*1/Black*2/Red*1/Yellow*1),PVC JACKET.(BC)		PCS	Approval	
NUMBER	PRODUCT SPECIFICATIONS	Quantity	Unit	Duty	F16 BOM.NO:

SECOMP