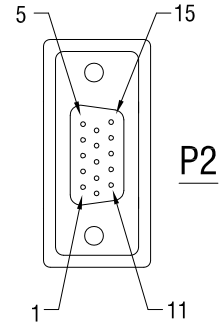
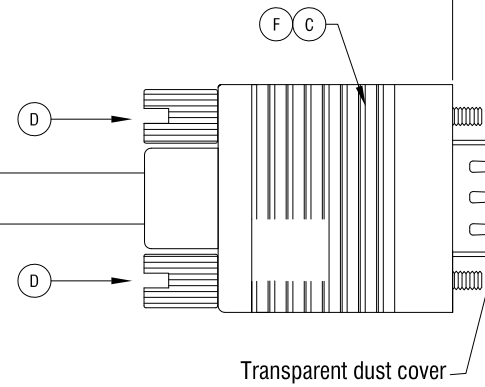
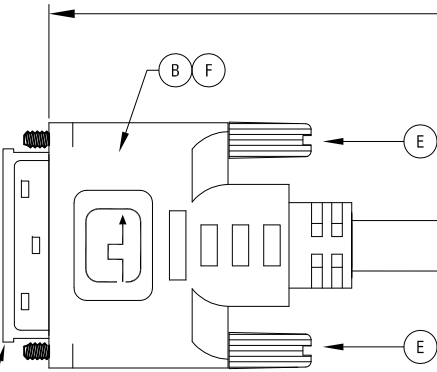
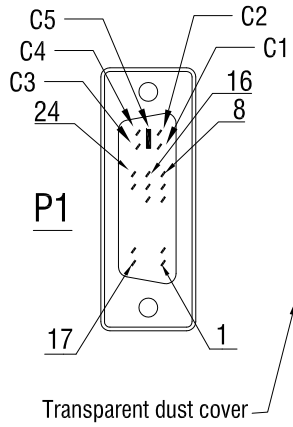
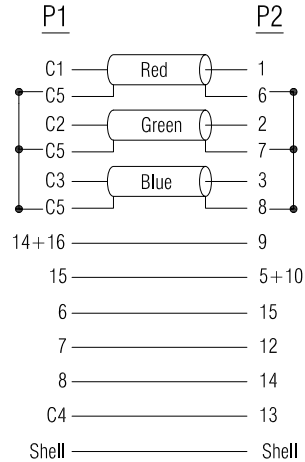


RoHS Compliant

5000+50/-0mm



WIRE ADDRESS



- Electrical Test:
- 1.100% TEST OPEN SHORT MIS-WIRE.
 - 2.CONTACT RESISTANCE:3Ω MAX.
 - 3.INSULATION RESISTANCE:5MΩ MIN.
 - 4.HI-POT:300V DC/10MS.
 - 5.Real Test Passed 1920*1080P 60Hz.
 - 6.Real Test Not Twinkling,Double Vision and Decolor.

NUMBER	PRODUCT SPECIFICATIONS	Quantity	Unit
F	45P PVC BLACK		G
E	DVI Screw : #4-40 UNC 2.78*44mm	2	PCS
D	VGA Screw : #4-40 UNC 2.3*44mm	2	PCS
C	HDB15P MALE(Black Insulator,Shell Nickel Plated)	1	PCS
B	DVI 12+5P MALE(Black Insulator,Shell Nickel Plated)	1	PCS
A	UL2919,28#*3COAX+28#*7C+AEB,OD=8.0mm,BLACK PVC JACKET.	1	PCS

ROLINE DVI Cable, DVI (12+5) - HD15, M/M, 5 m		
Item	11.04.5450	
Draw	Sam	Date: 2014.12.05
Approval		
Maker	F16	BOM.NO:13499

SECOMP