



Datenblatt - Fiche technique - Data sheet

11.04.5575

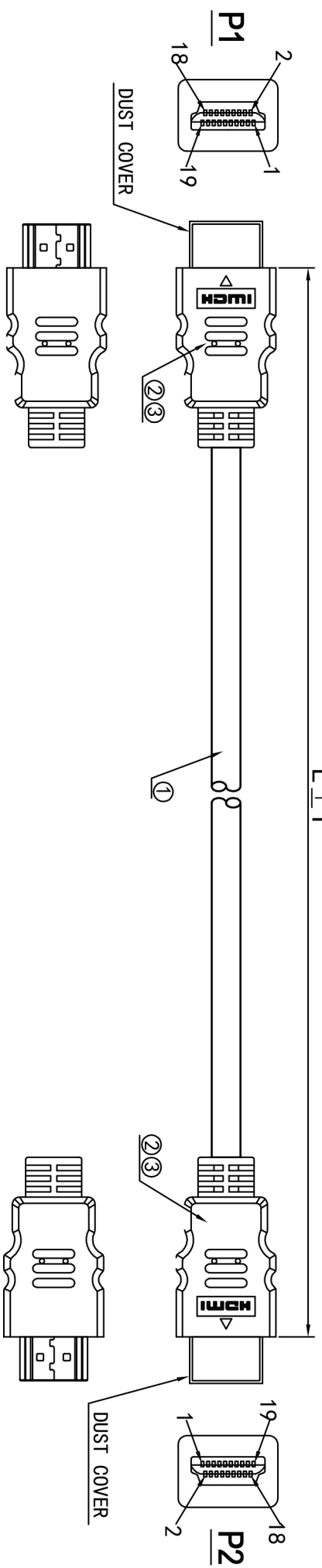


ROLINE Monitorkabel HDMI High Speed, ST-ST, 5,0m

ROLINE Câble de raccordement pour écran HDMI High Speed M-M, 5,0m

ROLINE HDMI High Speed Cable, M/M, 5 m

L±T



NOTES:

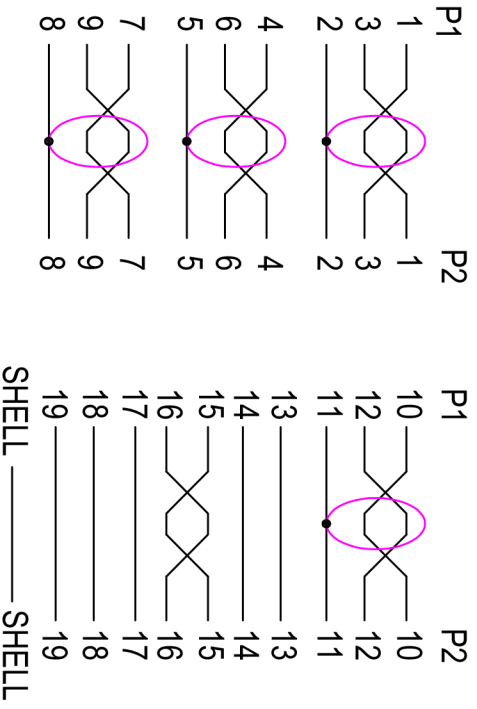
1. CABLE: UL20276 (28AWG*1P+EAM)*4+28AWG*1P+28AWG*5C+AEB OD=7.3MM JACKET: PVC BLACK;
(HIGH SPEED HDMI CABLE)
2. CONN: HDMI A/M INSULATION: BLACK, SHELL NICKEL-PLATED;
3. OUTER MOLD: PVC 45P BLACK;

ELECTRICAL TEST:

1. 100% TEST OPEN SHORT MIS-WIRE;
2. INSULATION RESISTANCE: 2M OHM MIN;

ITEM NO	L(MM)	T(MM)	HEAD SIZE	LABEL	PACK
11.04.5571	1000	±30	205*166MM	LABEL1	20PCS/CTN
11.04.5572	2000	±30	205*166MM	LABEL2	20PCS/CTN
11.04.5573	3000	±30	205*166MM	LABEL3	20PCS/CTN
11.04.5575	5000	±50	205*166MM	LABEL4	10PCS/CTN
11.04.5576	10000	±100	DO NOT	LABEL5	5PCS/CTN

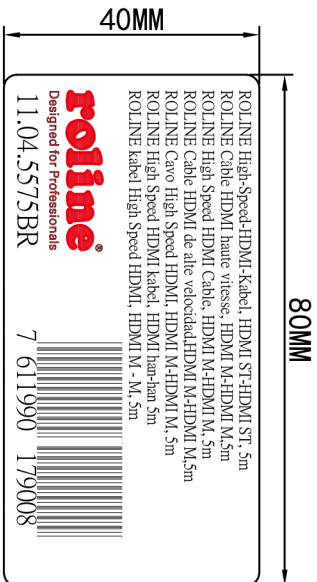
WIRE ADDRESS



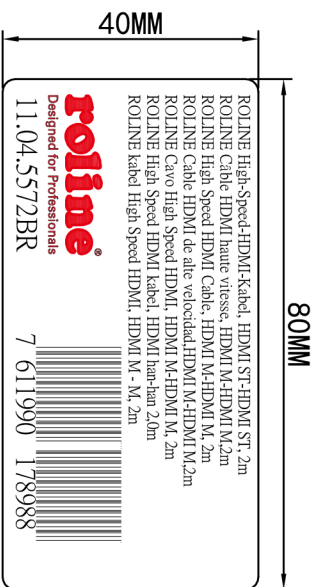
Company	Rotronic	Goods Code	Drawing Evidence:		Draw	F0038 ZYF	Date	2012-02-25	Rotronic Co.,Ltd.	D	
ITEM NO	11.04.557X				Check		Date			C	
Goods NO					Approval		Date			B	
Original NO.		Unit (MM)					Date		VER. A	REVISE	Date



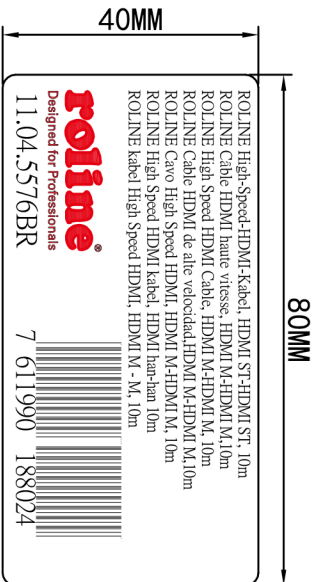
STICKER (LABEL 1)



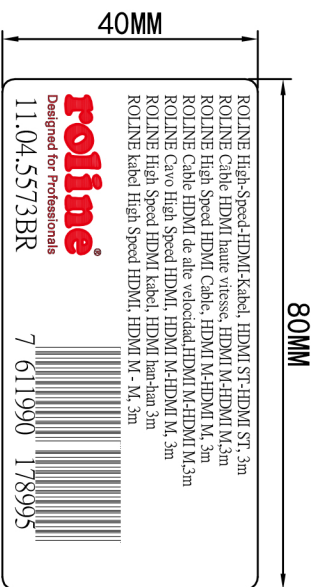
STICKER (LABEL 4)



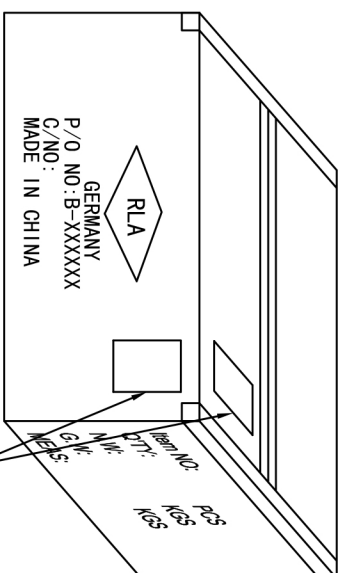
STICKER (LABEL 2)



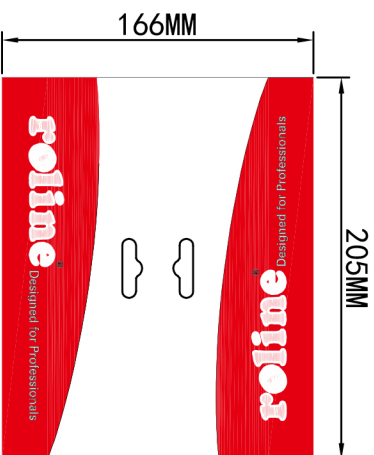
STICKER (LABEL 5)



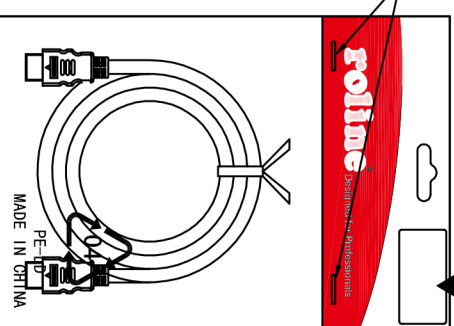
STICKER (LABEL 3)



包装箱贴纸 (客供)



HEAD



STICKER

Company	Rotronic	Goods Code		Draw	F0038 ZYF	Date	2012-02-25	Rotronic Co.,Ltd.	D	
ITEM NO	11.04.557X	Drawing Evidence:		Check		Date			C	
Goods NO		Unit (MM)		Approval		Date			B	
original NO.									VER. A	
								REVISE		Date