



Datenblatt - Fiche technique - Data sheet

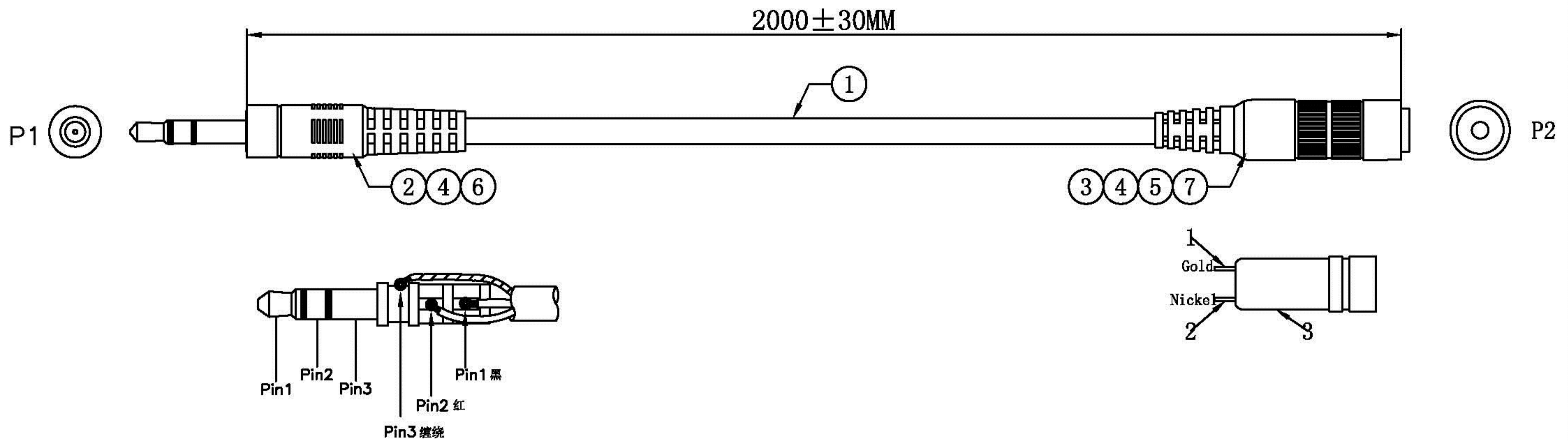
11.09.4352



ROLINE 3,5mm Verlängerungskabel ST / BU, 2m

ROLINE Rallonge 3,5mm, 2m

ROLINE 3.5mm Extension Cable, M/F, 2 m



Electrical Test:

1. 100%Test(Open ,short ,miss wire)
2. Contact Resistance: 2 ohm max.
3. Insulation Resistance: 5M ohm min.
4. Hi-pot:100V DC/10ms

Pin Assignment

P1		P2
1	Black	1
2	Red	2
3	sp	3

NO	DESCRIPTION	QTY	UNIT	APPD BY	DATE	12.05.29	CA1790092	REV A	1/1	
7	A10-R075005	φ 2.5 Black H.S.T 8mm	0.008	M	REV.					
6	A10-R075005	φ 2.5 Black H.S.T 10mm	0.01	M	 TOLERANCE INCHES/M/M					
5	A5-R047011	Transparent PE	2	G		.X	.015	.30		
4	A5-R047001	45P BLACK PVC	12	G		.XX	.010	.10		
3	A2-R023245	DC3.5 F OD:8.0MM SHELL NICKEL PLATED	1	pcs	.XXX	.005	.05			
2	A2-R031085	DC3.5 M OD:6.0MM SHELL NICKEL PLATED	1	pcs	DRAWN BY	JOE		CUSTOMER :		
					CHECK BY			CUSTOMER P/N:	11.09.4352	
1	A4-R001283	NO UL 28AWG*2C (red, black) +S OD:2.8MM BLACK	L	M	APPD BY			SCALE	NONE	
								UNIT	MM	
								DATE	12.05.29	
								DRAWING NO:	CA1790092	

Rotronic Co., Ltd.

ROLINE 3.5mm Extension Cable M/F, 2m