

Data sheet**Cable sharing adapter pnp 1**

Page 1/4

P/N

130548-01-E

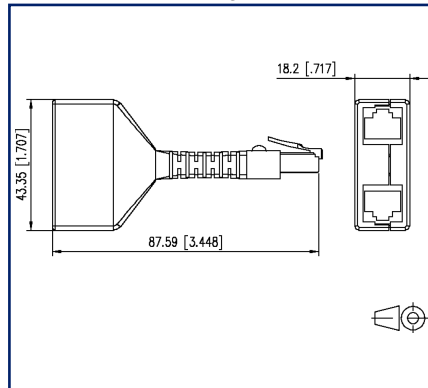
EAN 4250184102090

2023/04/05

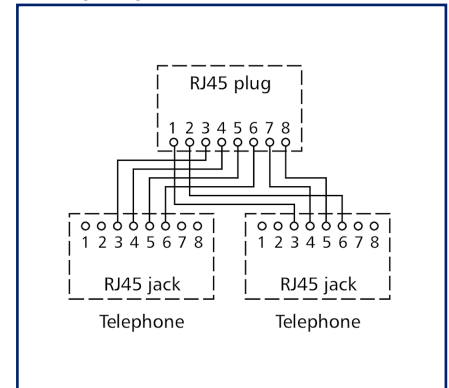
Version: AH

Illustrations

Dimensional drawing



Wiring diagram



See enlarged drawings at the end of document

Product specification

- cable sharing adapter for simultaneous operation of two 4-wire services, for example: 2 phones (ISDN), via 8-wire installation line
- use in pairs: one adapter on wall outlet, one adapter on distributor
- shielded adapter with class E transmission properties in the link according to IEC 11801 and DIN EN 50173-1
- slim shape allows plugging next to each other
- short, flexible connection
- delivered as set of two pieces



P | Cabling

Data sheet

Page 2/4

Cable sharing adapter pnp 1

P/N

130548-01-E

EAN 4250184102090

2023/04/05

Version: AH

Technical Data

General Data

Mechanical measurement according to MICE	M1
Ingress measurement according to MICE	I1
Climatic measurement according to MICE	C1
Electromagnetic measurement according to MICE	E2
Design	Adapter
Shielding	shielded
Transmission technology	Copper
Wiring	Phone (ISDN) - Phone (ISDN)
Color	silver
Dimensions	
Dimension (L x W x H)	87.59 mm x 18.2 mm x 43.35 mm
Dimension (L x W x H)	3.448 in. x 0.717 in. x 1.707 in.
Labeling option	on housing

Transmission characteristics

Class (ISO/IEC)	E
-----------------	---

Connections/interfaces

Connector technology interface 1	RJ45 plug
Connector technology interface 2	2 x RJ45-jack
Number of ports interface 2	2
Number of ports interface 2 equipped	2
Number of positions/contacts interface 1	8P/8C
Number of positions/contacts interface 2	2 x 8P/4C

Mechanical data

Life - Number of mating cycles	min. 750
Position/mounting of latch standard installation position	top and bottom



P | Cabling

Data sheet

Page 3/4

Cable sharing adapter pnp 1

P/N

130548-01-E

EAN 4250184102090

2023/04/05

Version: AH

Technical Data

Materials and material properties

Halogen free yes

RoHS compliant

Standards/Regulations

Generic cabling systems

General requirements ISO/IEC 11801 Ed.2.2:2011-06 | DIN EN 50173-1:2011-09
ANSI/TIA-568-C

Connectors for electronic equipment

circular connector DIN EN 61076-2-109:2010-08

Classifications

ETIM 5.0 EC001671

ETIM 6.0 EC001671

ETIM 7.0 EC001671

ETIM 8.0 EC001671

ETIM 9.0 EC001671

Packing details

Type of packaging 1 pc(s) / box

Packaging unit - Weight (gram) 85 g

Packaging unit - Weight (pound) 0.19 lb

Packaging dimension 42 mm x 47 mm x 92 mm

Packaging dimension 1.654 in. x 1.85 in. x 3.622 in.

P | Cabling

Data sheet

Page 4/4

Cable sharing adapter pnp 1

P/N

130548-01-E

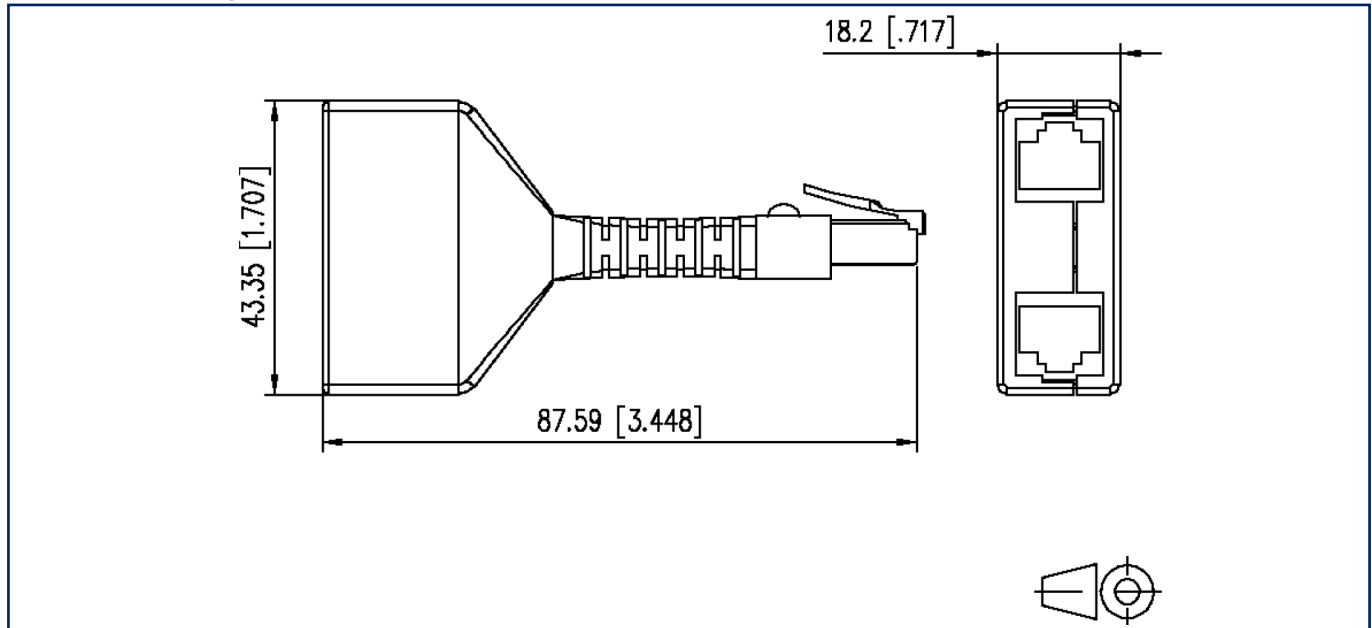
EAN 4250184102090

2023/04/05

Version: AH

Illustrations

Dimensional drawing



Wiring diagram

