

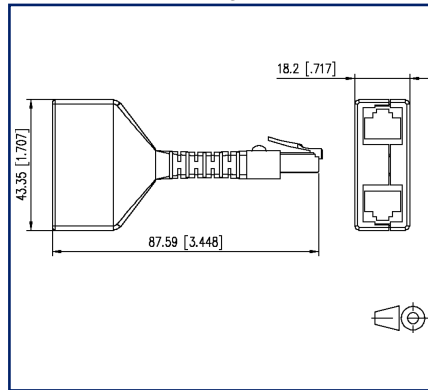
## Data sheet

### Cable sharing adapter pnp 2

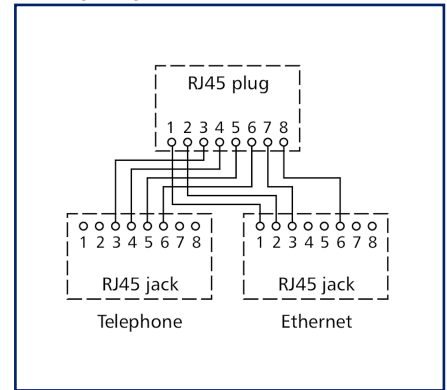
### Illustrations



Dimensional drawing



Wiring diagram



See enlarged drawings at the end of document

### Product specification

- cable sharing adapter for simultaneous operation of two 4-wire services, here: 1 x Ethernet and 1 x telephone (ISDN), via an 8-wire installation wire
- use in pairs: one adapter on wall outlet, one adapter on distributor
- shielded adapter with class E transmission properties in the link according to IEC 11801 and DIN EN 50173-1
- 1 x Ethernet up to 100 MBit E / Fast Ethernet
- slim shape allows plugging next to each other
- short, flexible connection
- delivered as set of two pieces

# P | Cabling

Data sheet

Page 2/4

## Cable sharing adapter pnp 2

P/N

130548-02-E

EAN 4250184102106

2023/04/05

Version: AG

### Technical Data

#### General Data

Mechanical measurement according to MICE	M1
Ingress measurement according to MICE	I1
Climatic measurement according to MICE	C1
Electromagnetic measurement according to MICE	E2
Design	Adapter
Shielding	shielded
Transmission technology	Copper
Wiring	Phone (ISDN) - Ethernet
Color	silver
Dimensions	
Dimension (L x W x H)	87.59 mm x 18.2 mm x 43.35 mm
Dimension (L x W x H)	3.448 in. x 0.717 in. x 1.707 in.
Labeling option	on housing

#### Transmission characteristics

Class (ISO/IEC)	E
Transmission rate up to 100 MBit (Fast Ethernet)	IEEE 802.3u

#### Connections/interfaces

Connector technology interface 1	RJ45 plug
Connector technology interface 2	2 x RJ45-jack
Number of ports interface 2	2
Number of ports interface 2 equipped	2
Number of positions/contacts interface 1	8P/8C
Number of positions/contacts interface 2	2 x 8P/4C

#### Mechanical data

Life - Number of mating cycles	min. 750
Position/mounting of latch standard installation position	top and bottom

# P | Cabling

Data sheet

Page 3/4

## Cable sharing adapter pnp 2

P/N

130548-02-E

EAN 4250184102106

2023/04/05

Version: AG

### Technical Data

#### Materials and material properties

Halogen free	yes
RoHS	compliant

#### Standards/Regulations

Generic cabling systems	
General requirements	ISO/IEC 11801 Ed.2.2:2011-06   DIN EN 50173-1:2011-09 ANSI/TIA-568-C
Connectors for electronic equipment	
circular connector	DIN EN 61076-2-109:2010-08

#### Classifications

ETIM 5.0	EC001671
ETIM 6.0	EC001671
ETIM 7.0	EC001671
ETIM 8.0	EC001671
ETIM 9.0	EC001671

#### Packing details

Type of packaging	1 pc(s) / box
Packaging unit - Weight (gram)	85 g
Packaging unit - Weight (pound)	0.19 lb
Packaging dimension	42 mm x 47 mm x 92 mm
Packaging dimension	1.654 in. x 1.85 in. x 3.622 in.



# P | Cabling

Data sheet

## Cable sharing adapter pnp 2

Page 4/4

P/N

130548-02-E

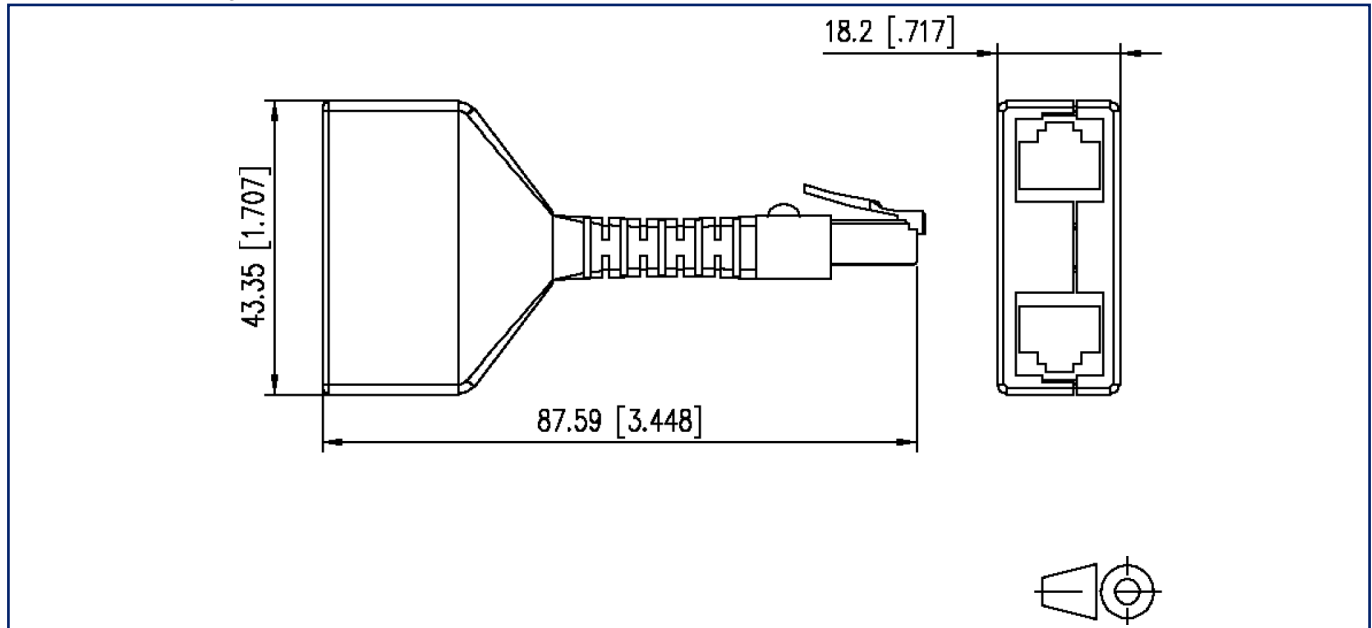
EAN 4250184102106

2023/04/05

Version: AG

### Illustrations

Dimensional drawing



Wiring diagram

