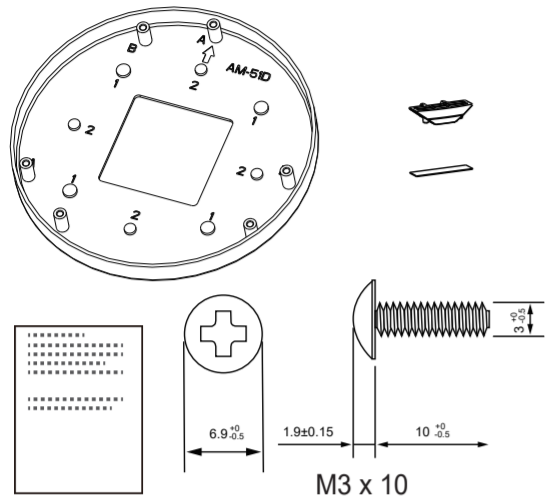


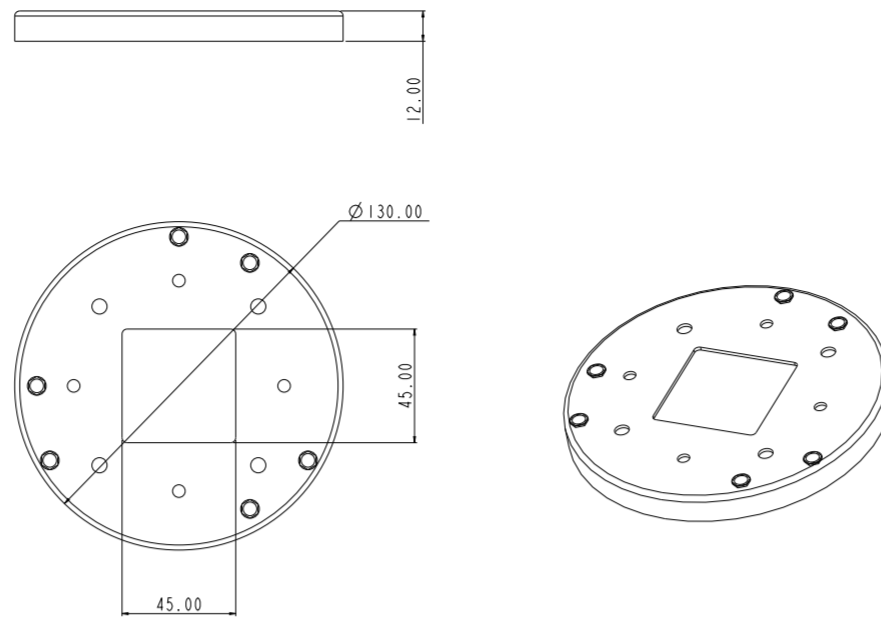
Quick Installation Guide

Ordering part no.:100147700G
 QIG Part no.: 625035601G

Package Contents: AM-51D, Installation Guide, 3x panhead M3x10, plastic stopper, double-sided tape.



AM-51D Mounting Cap Mechanical Drawings



Compatible VIVOTEK Cameras

Fixed Dome series	FD8369A / FD8367A / FD8169A / FD8167A / FD8379-HV / FD8377-HV / FD8179-H / FD8177-H / FD9368-HTV / FD9388-HTV / FD9189-H / FD9189-HM / FD9189-HT / FD9389-(E)HV / FD9389-(E)HMV / FD9389-(E)HTV
-------------------	---

You may also refer to VIVOTEK's website for the list of supported models. Support for other models can be available through time.

II Installation

Mounting Hole Definitions

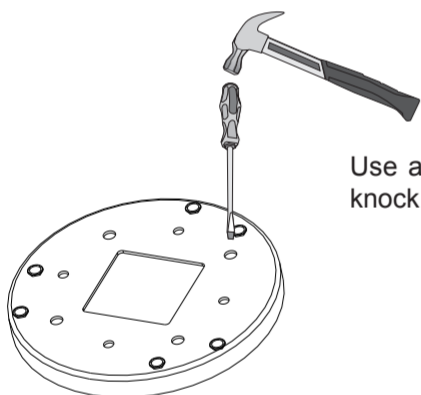
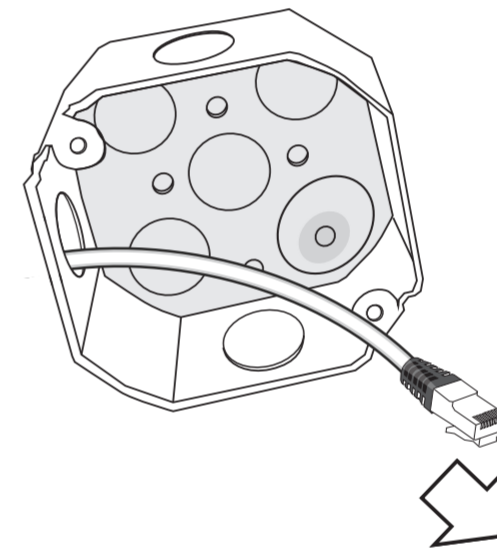
Hole Type	Applicable Cameras	Screw	No. of screws
A	FD8369A, FD8367A, FD8379-HV, FD8377-HV, FD9368-HTV, FD9388-HTV, FD9389 series	M3x10	3
B	FD8169A, FD8167A, FD8179-H, FD8177-H, FD9189 series	M3x10	3

Above are the locations of different groups of mounting holes for matching different junction boxes:

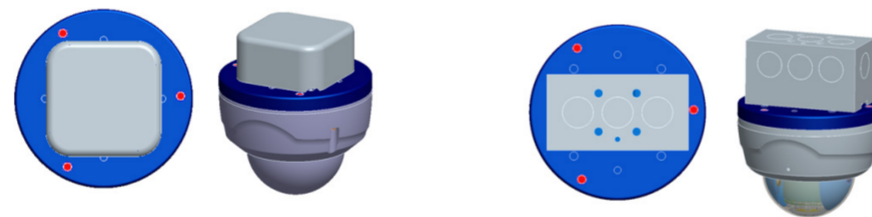
Hole Type	Applicable Box	Drawings	Screw	No. of screws
1	4" octagon box		#8-32, L15 (User-supplied)	2
2	1" single gang box		#6-32, L15 (User-supplied)	2

Installing the Mounting Cap

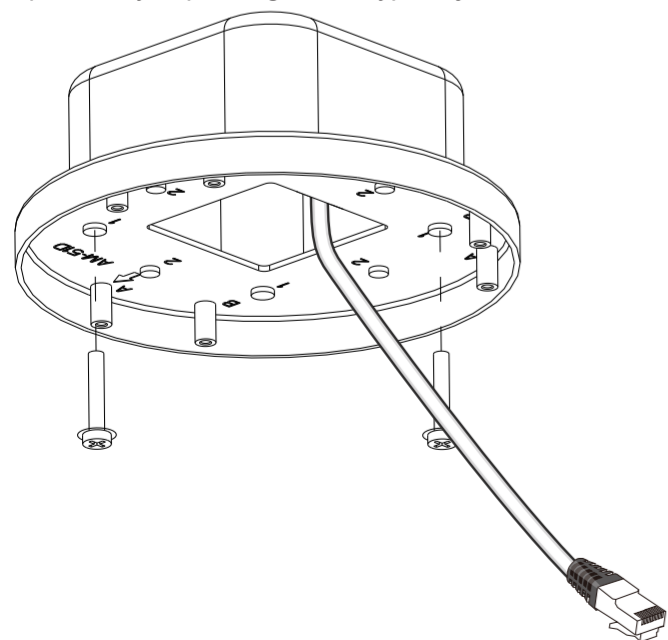
1. Route cables through the junction box.



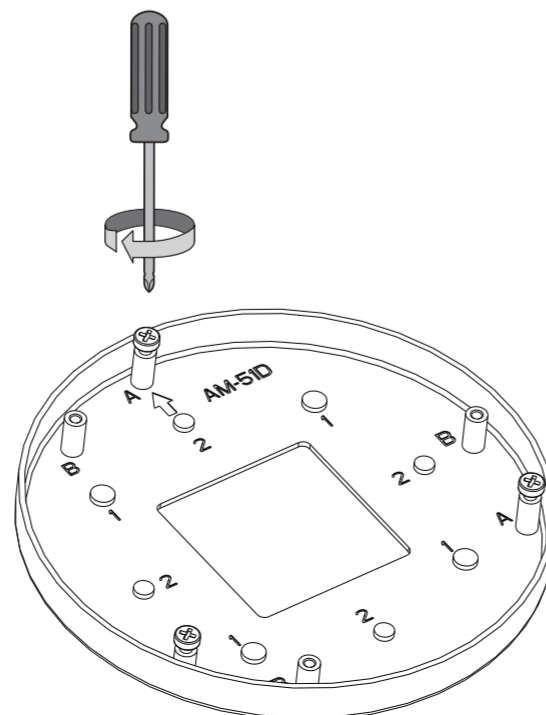
Use a hammer and screwdriver to open the knock out holes you prefer to use.



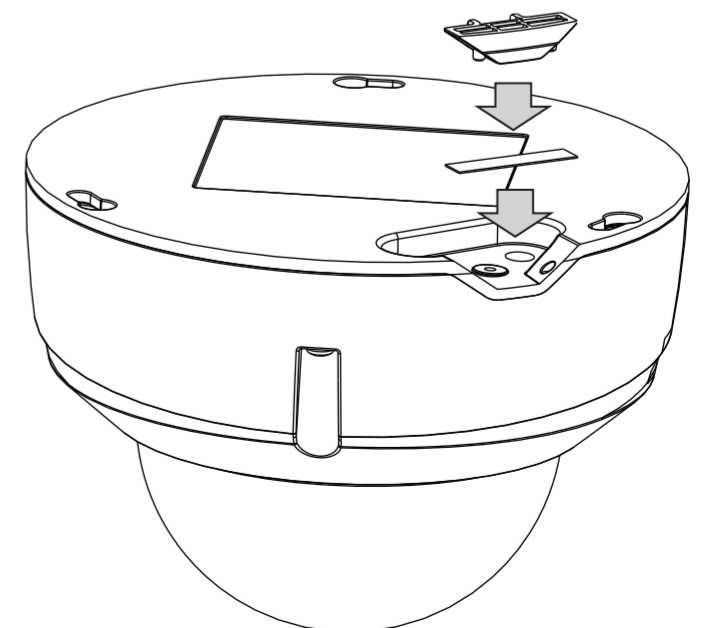
2. Install the mount cap to the junction box. Use screw holes specified previously depending on the type of junction box.



3-1. FD8369A, FD8367A, FD8379-HV, FD8377-HV, FD9368-HTV, FD9388-HTV, FD9389 series
 3-1-1. Fasten screws to the **A** holes on the mounting cap. Do not completely tighten the screws. Leave part of the screws out.



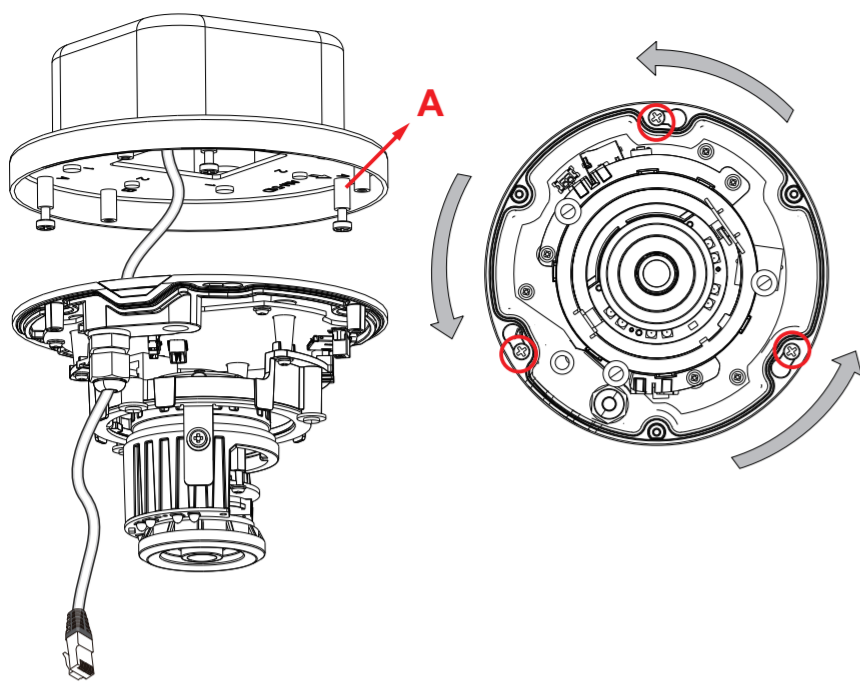
Attach the plastic stopper to the opening at the bottom of the camera, if applicable.



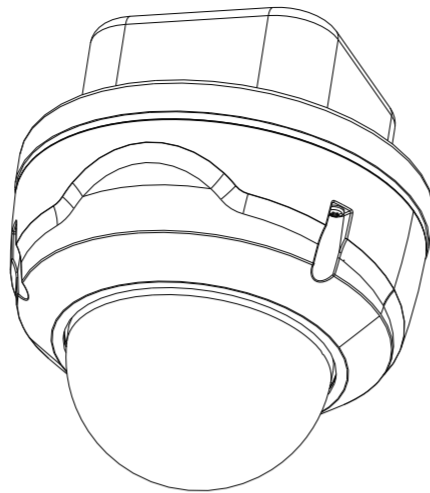
NOTE:

1. Route cables before you secure the accessories to a wall.
2. For details on the cable connections with network cameras, please refer to their Quick Installation Guide.

3-1-2. Refer to the camera's Quick Installation Guide for how to make the waterproof connections. Install the camera to the mounting cap by turning it counter-clockwise so that the screw heads fit in the keyhole slots. Fasten the screws, and then connect the cables.



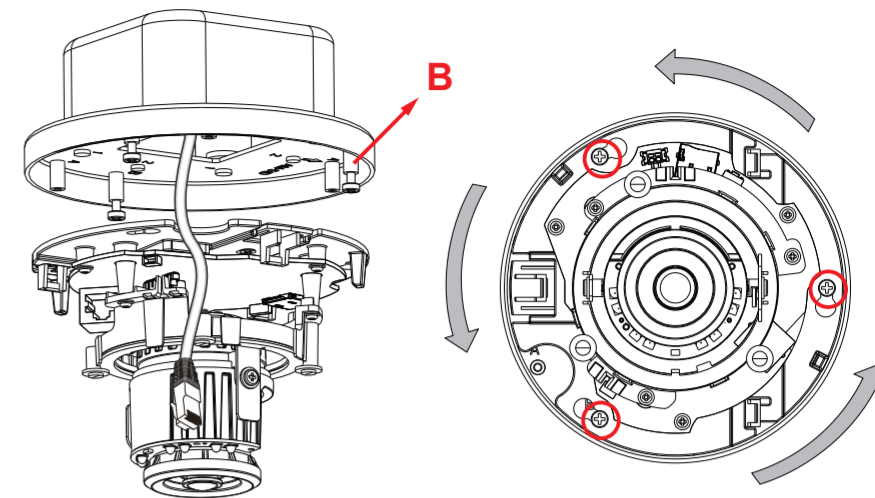
3-1-3. Tune the focus, and refer to the documentation that came with your cameras for the rest of configuration details. Install the dome cover.



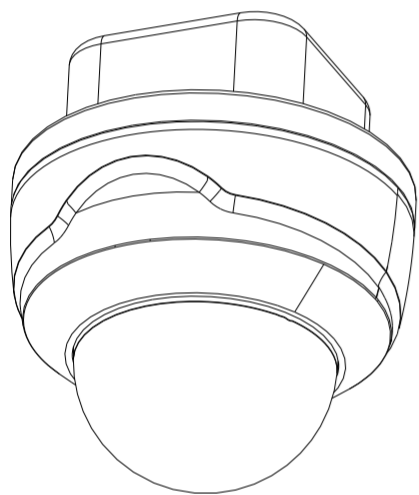
3-2. FD8169A, FD8167A, FD8179-H, FD8177-H, FD9189 series

3-2-1. Fasten screws to the **B** holes on the mounting cap. Do not completely tighten the screws. Leave part of the screws out.

3-2-2. Install the camera to the mounting cap by turning it counter-clockwise so that the screw heads fit in the keyhole slots. Fasten the screws, and then connect the cables.



3-2-3. Tune and focus, and refer to the documentation that came with your cameras for the rest of configuration details. Install the dome cover.



All specifications are subject to change without notice.
Copyright © 2020 VIVOTEK INC. All rights reserved.

VIVOTEK INC.
6F, No.192, Lien-Cheng Rd., Chung-Ho, New Taipei City, 235, Taiwan, R.O.C.
T: +886-2-82455282 | F: +886-2-82455332 | E: sales@vivotek.com

VIVOTEK USA, INC.
2050 Ringwood Avenue, San Jose, CA 95131
T: 408-773-6666 | F: 408-773-8298 | E: salesusa@vivotek.com

VIVOTEK Europe
Zandsteeg 15, 2132 MZ Hoofddorp Delta Electronics
T: +31 (0)20 800 3817 | E: sales@vivotek.com