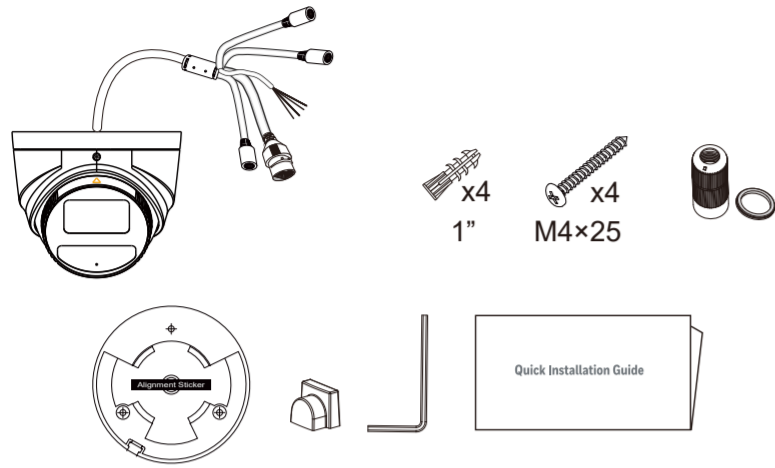


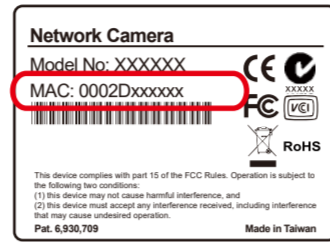
محتويات العبوة | Obsah balení | Pakkens indhold | Inhoud verpakking
 Package Contents | Pakkauksen sisältö | Contenu de l'emballage
 Packungsinhalt | Isi Kemasan | Contenido confezione | パッケージ内容
 Zawartość pakietu | Conteúdo da Embalagem | Содержимое упаковки
 包裝內容物 | Contenido del Embalaje | 包裝內容 | Ambalaj içeriği

تركيب الأجهزة | Instalace hardwaru | Installation af hardware
 Hardware installeren | Hardware Installation | Laitteistoasennus
 Installation du matériel | Hardwareinstallation | Pemasangan Perangkat Keras
 Installazione hardware | ハードウェア・インストール | Instalacja sprzętu
 Instalação de Hardware | Монтаж оборудования | 硬件安装
 Instalación del hardware | 硬體安裝 | Donanım Montajı

1

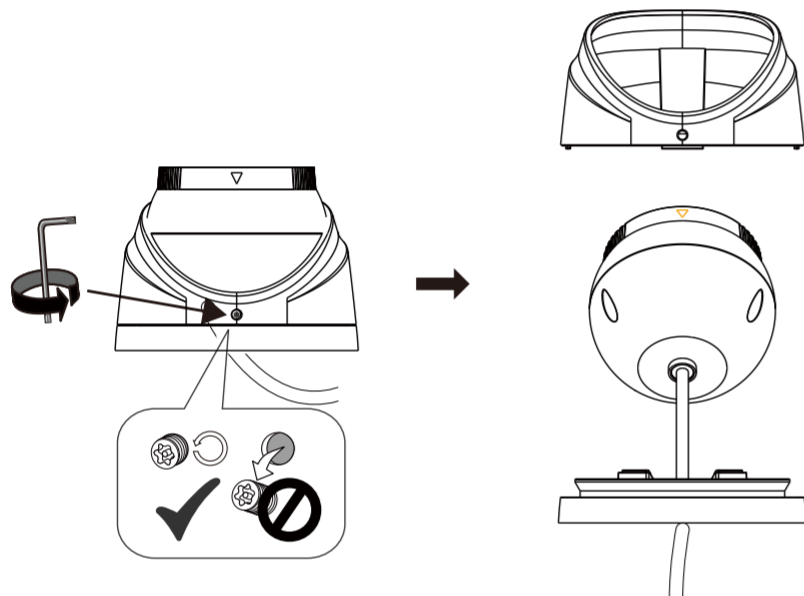


2

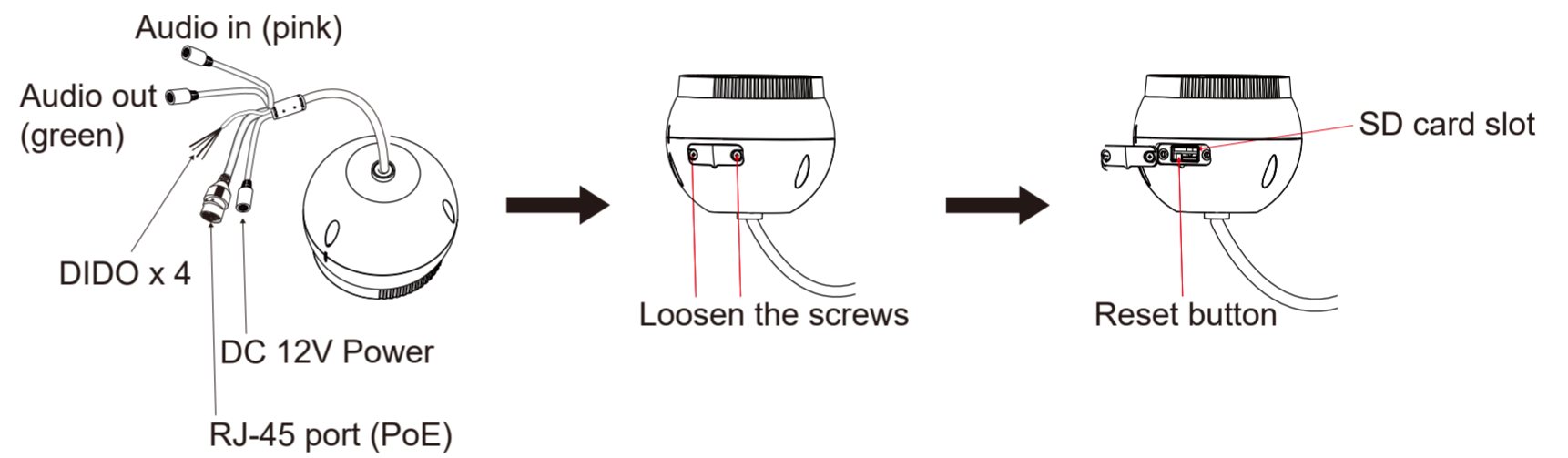


Jot down the camera's MAC address for later reference.

3

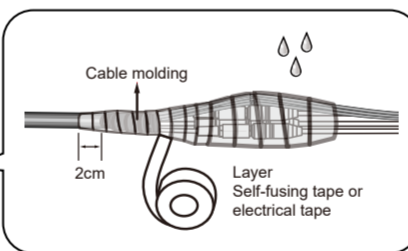
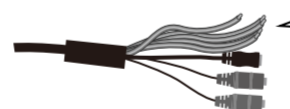


4

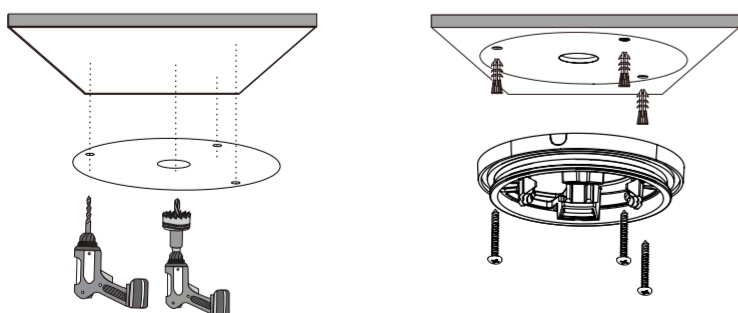


Waterproof the connectors.

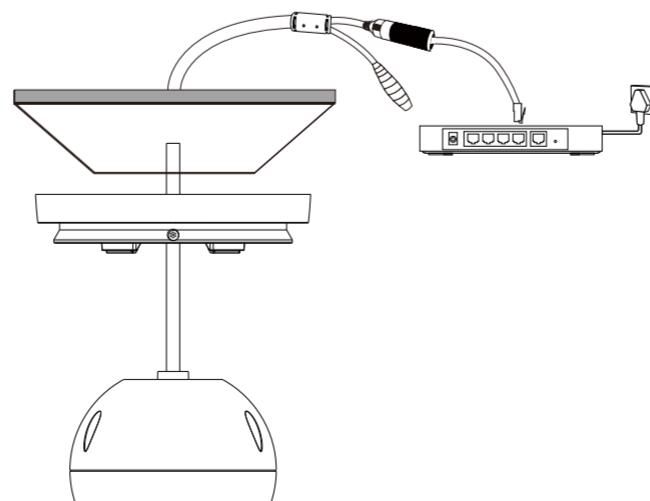
- Stretch the waterproof tape to twice its length before wrapping.
- Overlap the tape by at least 20 mm across the cable joints.
- Ensure all connectors—used or unused—are fully waterproofed.



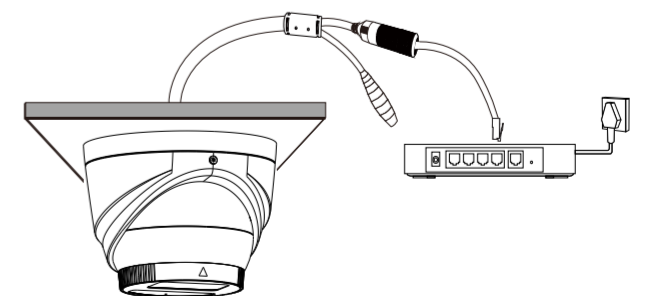
5



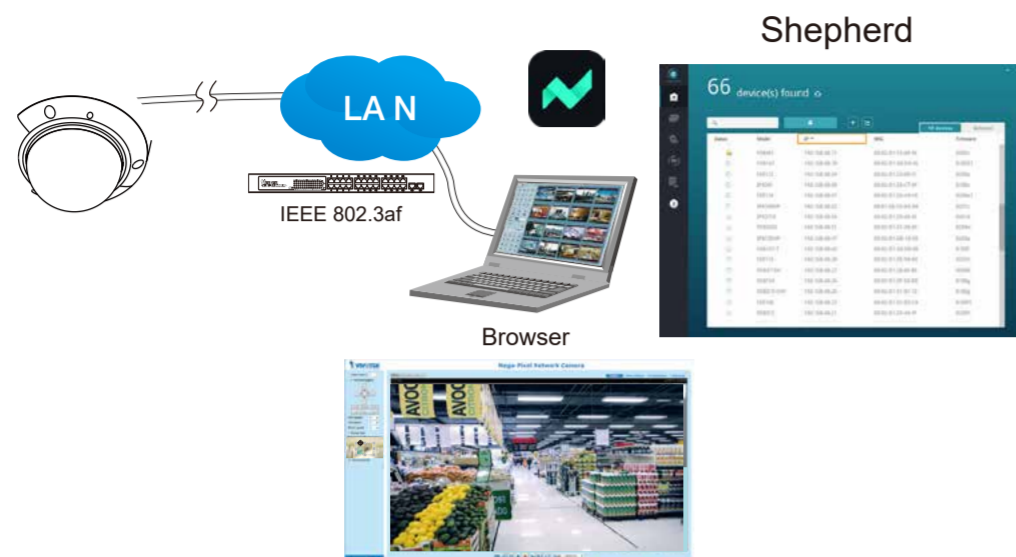
6



7



8



9

1. After connecting the network camera to the PoE network switch, run the VIVOTEK Shepherd app to search for the IP location of the network camera. Then, enter the camera's webpage.
2. Please download the Shepherd program from the VIVOTEK website <https://www.vivotek.com/Shepherd>.

1. 請於 VIVOTEK 網頁 <https://www.vivotek.com/Shepherd> 下載 Shepherd 程式。
2. 將網路攝影機連接上 PoE 網路交換機後，執行晶睿通訊 Shepherd 程式搜尋該網路攝影機的 IP 位置，並進入該攝影機的網頁。

10



Software operation

1. When logging into the camera's webpage for the first time, you need to set a password according to the password rules.
2. After logging in to the camera web page, you can see the camera page.

軟體操作

1. 首次登入攝影機的網頁，需要依照密碼規範設定密碼
2. 登入攝影機網頁後，即可看到攝影機頁面

Function description of the icon buttons at the bottom of the page (from left to right)

1. Snapshot: Capture the current picture
2. Video recording: Manually start recording
3. Lower the volume
4. Increase the volume
5. Fullscreen

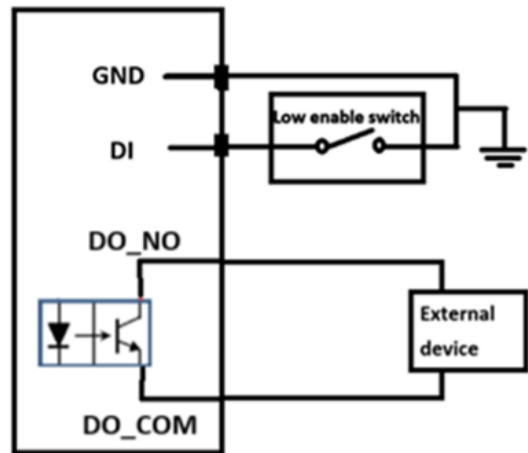
頁面下方圖示按鈕功能說明 (由左至右)

1. 快照：擷取當下圖片
2. 錄影：手動啟動錄影
3. 降低音量
4. 提高音量
5. 全螢幕

DI/DO Diagrams

A

The camera can connect with the proper Digital output device directly. The optical coupler for DO_COM pins is 60VDC/0.5A.

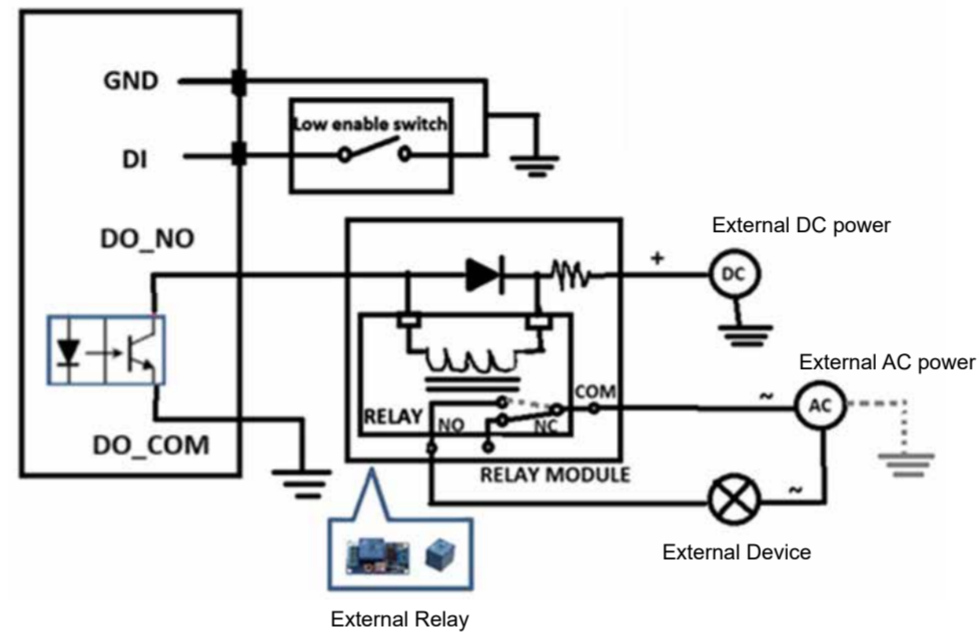


B

In order to control AC devices, the below diagram can be taken in consideration. The diagram uses a relay (or relay module) to control the ON/OFF condition of the AC device.

An external relay (or relay module) can be triggered by using DO_NO or by an external AC power source, depending on the type of relay you use.

In case of using an individual relay (instead of using a relay module), for protection against voltage or current spikes, a transient voltage suppression diode must be connected in parallel with the inductive load.



Please contact authorized distributors for warranty and RMA service.
Visit <https://www.vivotek.com/support/warranty> and
<https://www.vivotek.com/support/rma>

All specifications are subject to change without notice.
Copyright © 2024 VIVOTEK INC. All rights reserved.

VIVOTEK INC.
5F, No.192, Lien-Cheng Rd., Chung-Ho, New Taipei City, 225, Taiwan, R.O.C.
T: +886-2-8245528 F: +886-2-8245533 E: sales@vivotek.com

VIVOTEK USA, INC.
2350 Ringwood Avenue, San Jose, CA 95131
T: 408-773-8599 F: 408-773-8291 E: salesusa@vivotek.com

VIVOTEK Europe
Zandsteen 15, 2132 NZ Hoofddorp Delta Electronics
T: +31 (0)20 800 3811 E: sales@vivotek.com