



Datenblatt - Fiche technique - Data sheet

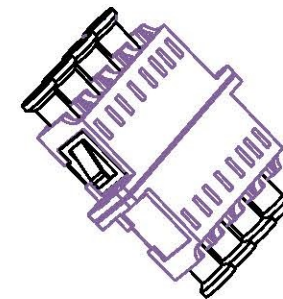
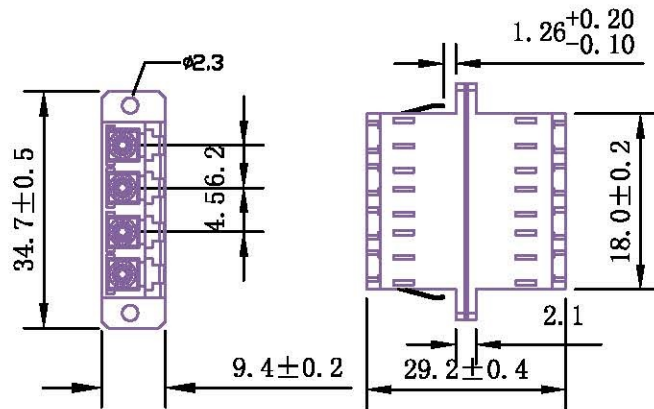
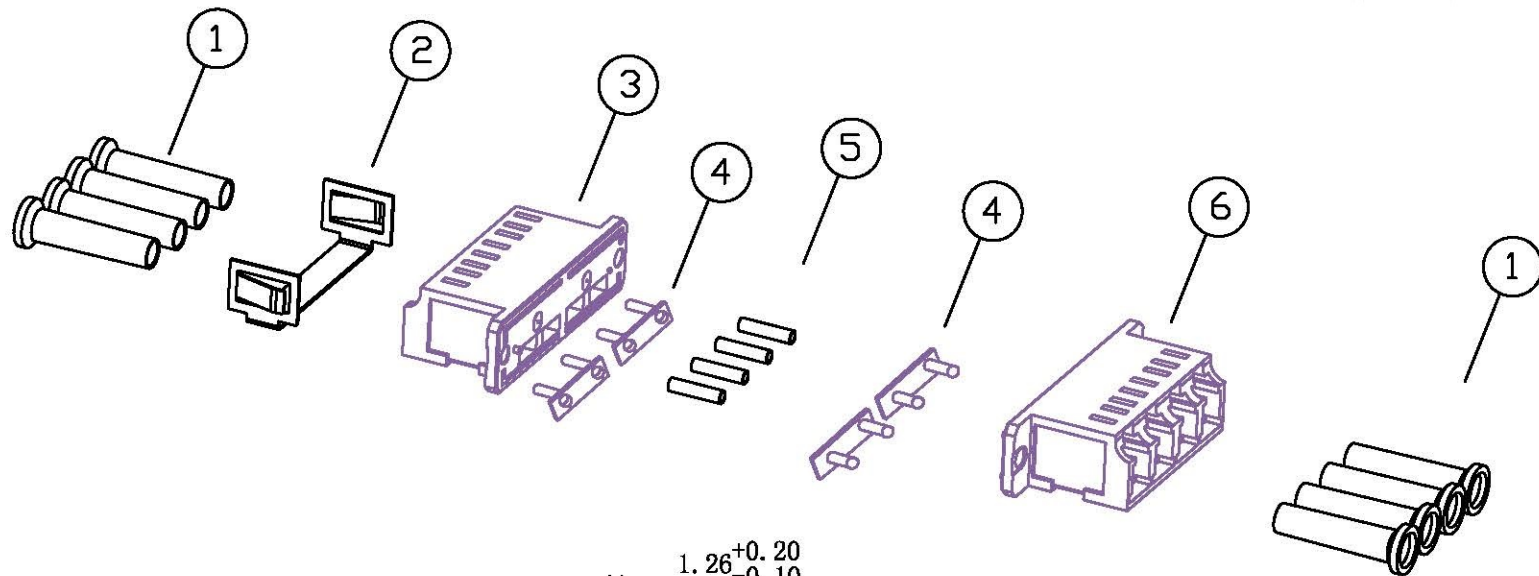
21.99.0661



VALUE LWL-Kupplung LC vierfach, OM4, PB

VALUE Coupleur FO LC quadruple, OM4, PB

VALUE Fibre Optic Adapter LC quadruple, OM4, PB



NOTE:

RoHS & REACH Compliant

Insertion Loss (dB)	≤ 0.30
Operating Temperature (° C)	-40 ~ +85
Storage Temperature (° C)	-40 ~ +85

MATERIAL LIST:

⑥	LC bluepurple Body Quad (SC Duplex footprint)	1pcs	
⑤	LC Sleeve ceramic (Multi-Mode) OM4	4pcs	
④	purple bush	4pcs	
③	LC purple Body Quad (SC Duplex footprint)	1pcs	
②	Metal Mount	1pcs	
①	LC White Dustcap	8pcs	
NO.	SPECIFICATION STANDARD	QT' Y	REMARK

VALUE Fiber Optic Adapter, LC Quad, Multimode, OM4, purple color	
Item No.	21.99.0661

			UNIT	MM	rotronic			
		NEW	2013-08-30	A	DRAWNBY	CHECKBY	APPOBY	DATE
BY	CHK	REVISION RECORD MODIFICATIONS	DATE	REV.	FERGUS	ALVAN		2013-08-30