

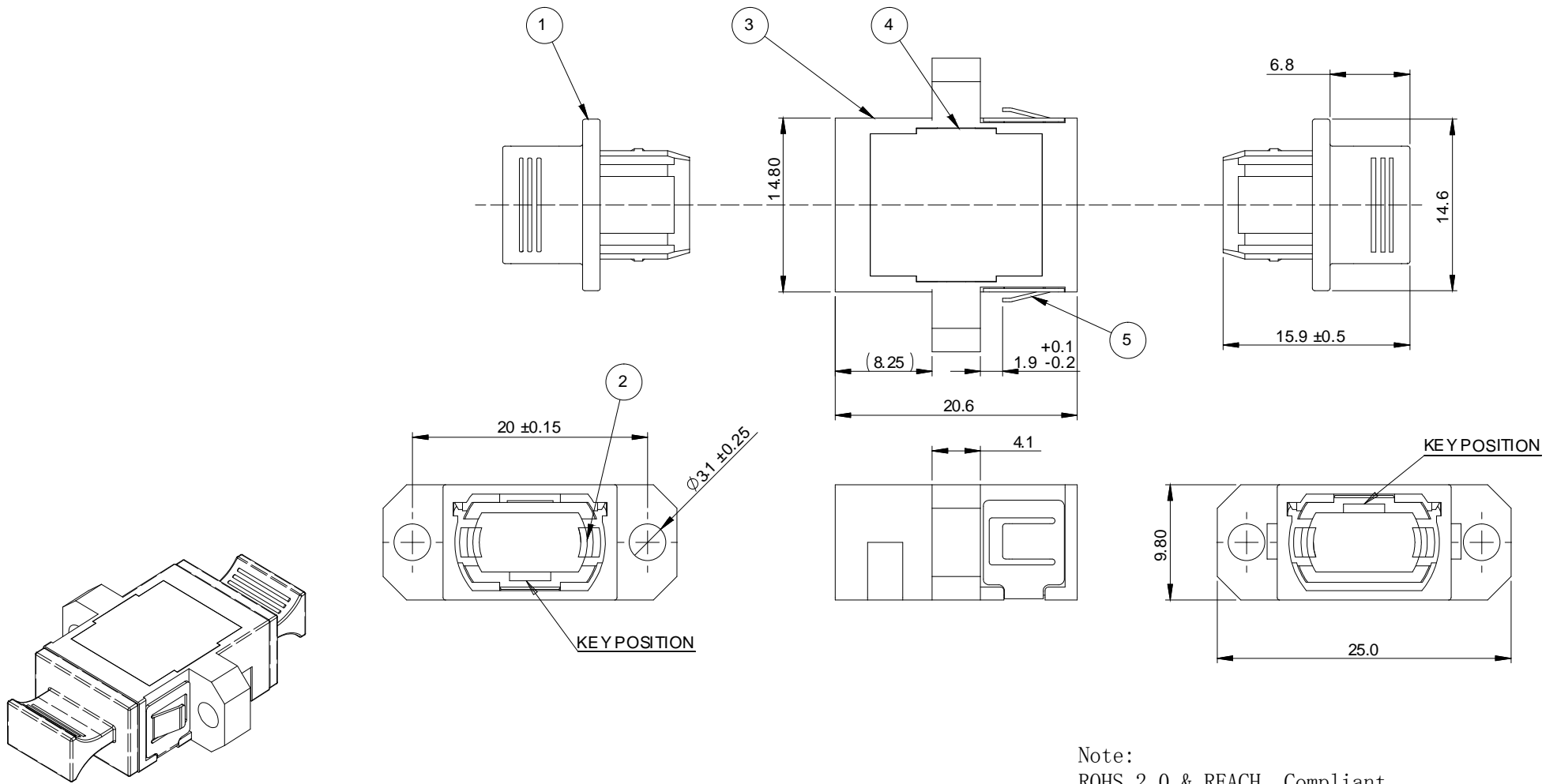
NOTE:

- RoHS 2.0 COMPLIANT
- Color: Black RAL9005
- Coating: Powder plastics
- Frosted surface
- Material: SPCC
- Thickness:1.0mm
- 6 SC Simplex or LC Duplex or E2000 Simplex Adapter
- 2 MTP/MPO standard Adapter
- Cassettes Easy Install
- For max 12 core
- Accessories
- Black ABS screw
- M2*5 Screw * 12pcs
- Dust cap for MPO * 1pcs
- Packing: 1pcs /PE bag+inner box+label

21.99.1107	VALUE MPO-Module, MPO-M /12x LC - F
ITEM NO.	Product description

		NEW		
BY	CHK	REVISION RECORD MODIFICATIONS	2019-1-15	A
			DATE	REV.

SECOMP



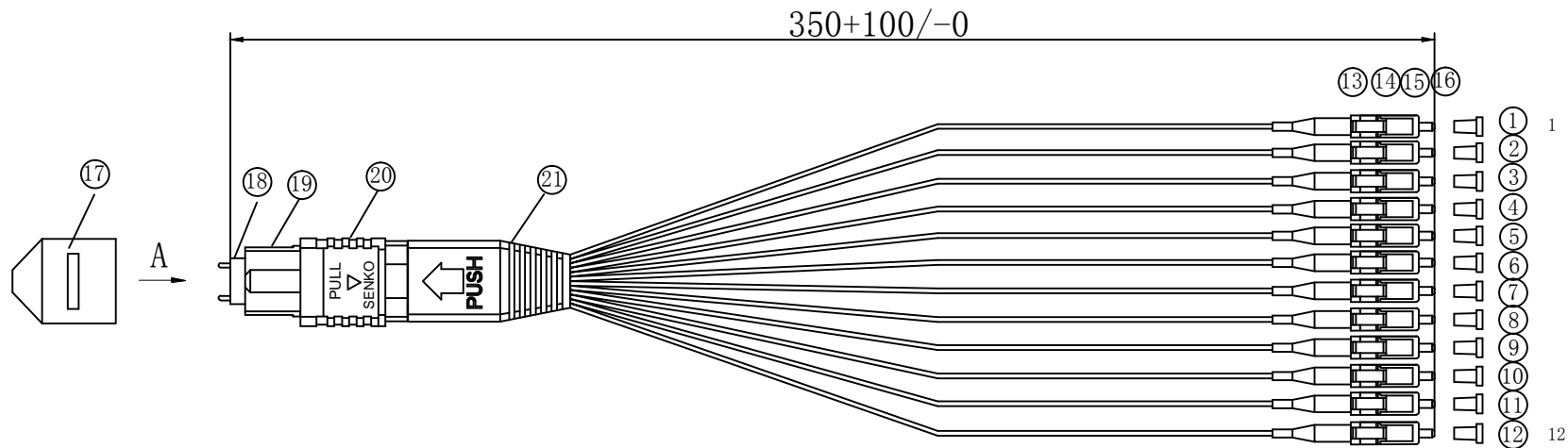
Note:
 ROHS 2.0 & REACH Compliant
 Colour:black
 IL: ≤0.3dB
 Operating Temperature: -20°C ~+70°C
 Storage Temperature: -40°C ~+80°C

⑤	MPO Adapter Metal Clip, SUS	1	
④	MPO Adapter Cover, PEI	1	
③	MPO One Piece Adapter Housing With Flange, PEI	1	
②	MPO Adapter Hook, PEI	2	
①	MPO Adapter Dust Cap, PP	2	
NO	SPECIFICATION STANDARD	QT'Y	REMARK

21.99.1107	VALUE MPO-Module, MPO-M /12x LC - F
ITEM NO.	Product description

		NEW	2019-1-15	A
BY	CHK	REVISION RECORD MODIFICATIONS	DATE	REV.

SECOMP



ROHS 2.0 Compliant

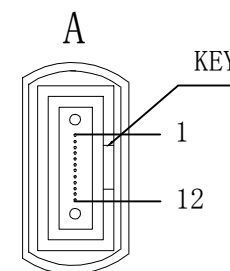
(21)	MPO Black Boot		1	
(20)	Housing Aqua SENKO		1	
(19)	Plastic Body SENKO		1	
(18)	MPO Male Ferrule SENKO		1	
(17)	MPO Black Dust cover		1	
(16)	LC White Dust Cap		12	
(15)	LC/UPC Ferrule		12	
(14)	LC MM Connector Beige		12	
(13)	LC 0.9 White Boot		12	
(12)	Fiber Cable LOOSE TUBE	0.9mm TURQUOISE LSZH	0.35m	
(11)	Fiber Cable LOOSE TUBE	0.9mm PINK LSZH	0.35m	
(10)	Fiber Cable LOOSE TUBE	0.9mm VIOLET LSZH	0.35m	
(9)	Fiber Cable LOOSE TUBE	0.9mm YELLOW LSZH	0.35m	
(8)	Fiber Cable LOOSE TUBE	0.9mm BLACK LSZH	0.35m	
(7)	Fiber Cable LOOSE TUBE	0.9mm RED LSZH	0.35m	
(6)	Fiber Cable LOOSE TUBE	0.9mm WHITE LSZH	0.35m	
(5)	Fiber Cable LOOSE TUBE	0.9mm GREY LSZH	0.35m	
(4)	Fiber Cable LOOSE TUBE	0.9mm BROWN LSZH	0.35m	
(3)	Fiber Cable LOOSE TUBE	0.9mm GREEN LSZH	0.35m	
(2)	Fiber Cable LOOSE TUBE	0.9mm ORANGE LSZH	0.35m	
(1)	Fiber Cable LOOSE TUBE	0.9mm BLUE LSZH	0.35m	
NO	SPECIFICATION STANDARD		QT' Y	REMARK

NOTE:

Test

Type	Multi-Mode	
	MPO/PC	LC/UPC
Insertion Loss	≤0.35dB	≤0.15dB
Return Loss	≥20dB	≥25dB
Test Wavelength	850nm	

WIRING TYPE

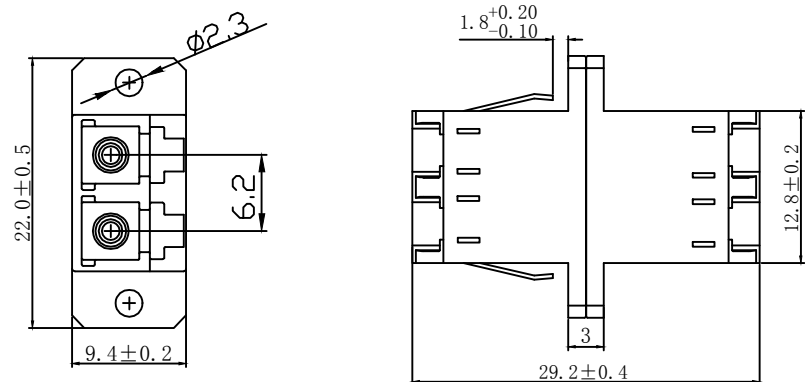
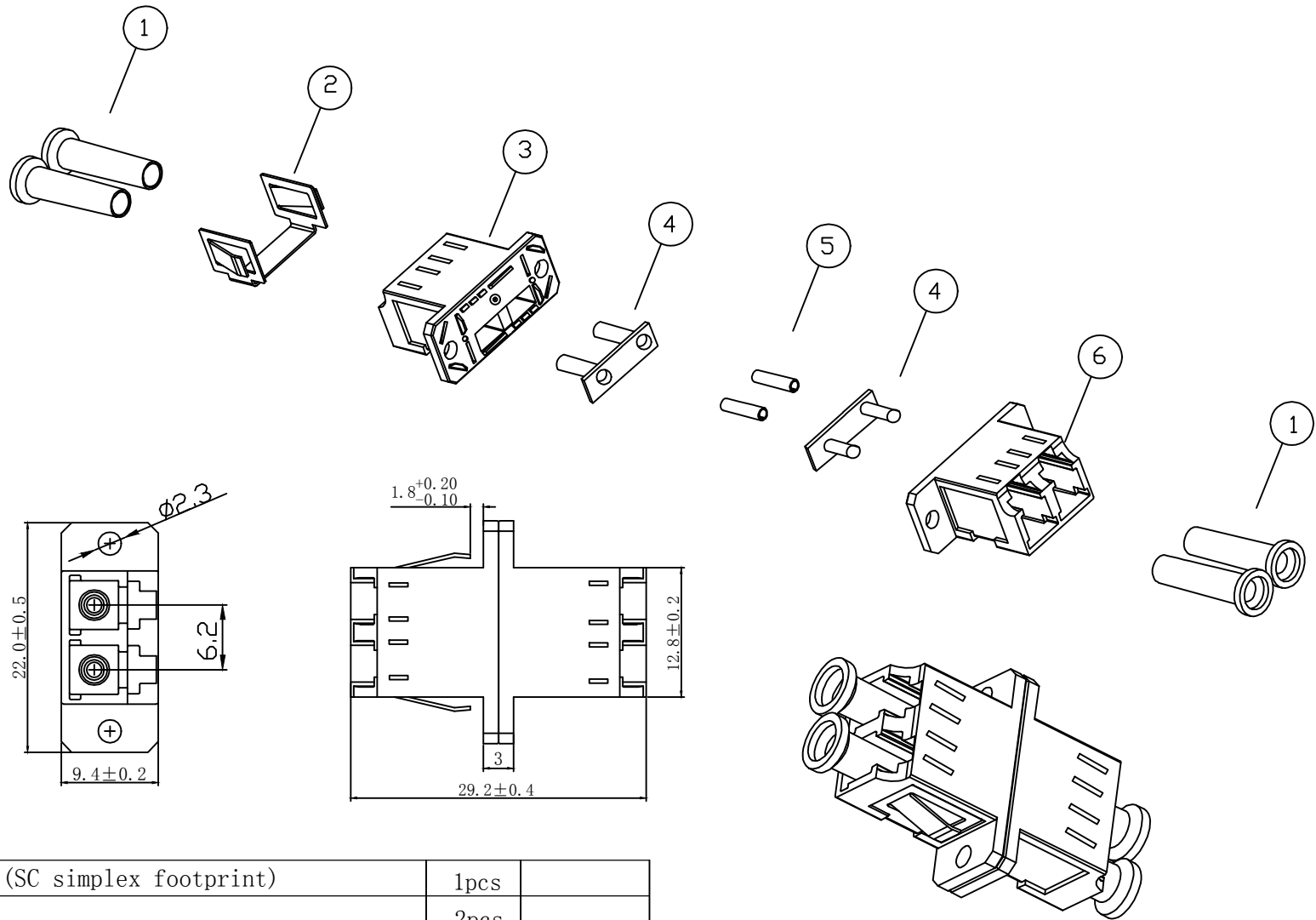


1	Blue
2	Orange
3	Green
4	Brown
5	Gray
6	White
7	Red
8	Black
9	Yellow
10	Violet
11	Pink
12	Aqua

21.99.1107	VALUE MPO-Module, MPO-M /12x LC - F
ITEM NO.	Product description

SECOMP

		NEW	2019-1-15	A
BY	CHK	REVISION RECORD MODIFICATIONS	DATE	REV.



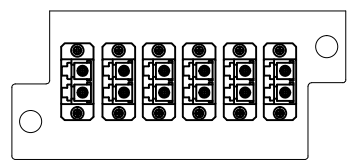
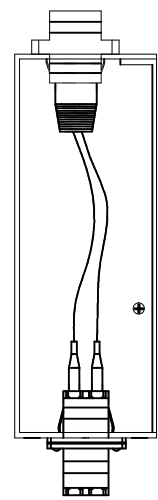
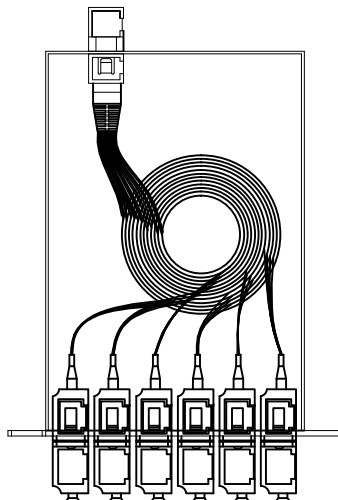
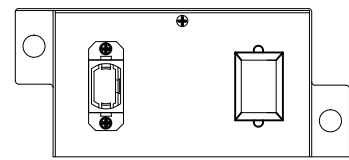
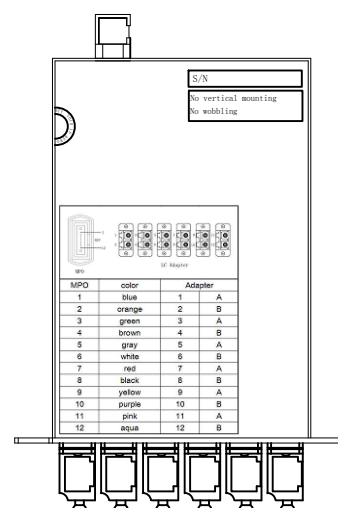
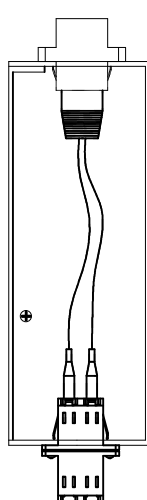
Note:
 ROHS 2.0 & REACH Compliant
 Colour:Erika violett
 IL: ≤ 0.1dB
 Operating Temperature: -20°C ~ +70°C
 Storage Temperature: -40°C ~ +80°C

⑥	LC Erikaviolett (RAL4003) Body (SC simplex footprint)	1pcs	
⑤	LC Sleeve ceramic (Multi-Mode)	2pcs	
④	Erika violett (RAL4003) bush	2pcs	
③	LC Erika violett (RAL4003) Body (SC simplex footprint)	1pcs	
②	Metal Mount	1pcs	
①	LC White Dust cap	4pcs	
NO.	SPECIFICATION STANDARD	QT' Y	REMARK

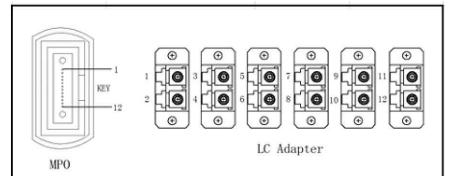
21.99.1107	VALUE MPO-Module, MPO-M /12x LC - F
ITEM NO.	Product description

		NEW	2019-1-15	A
BY	CHK	REVISION RECORD MODIFICATIONS	DATE	REV.

SECOMP



Label A:



MPO	color	Adapter	
1	blue	1	A
2	orange	2	B
3	green	3	A
4	brown	4	B
5	gray	5	A
6	white	6	B
7	red	7	A
8	black	8	B
9	yellow	9	A
10	purple	10	B
11	pink	11	A
12	aqua	12	B

Label B:

S/N

Label C:



Label D:

No vertical mounting
No wobbling

- NOTE:
- RoHS 2.0 COMPLIANT
 - Color: Black RAL9005
 - Coating: Powder plastics Frosted surface
 - Material: SPCC
 - Thickness: 1.0mm
 - 6*LC OM4 (ceramic) Duplex Plastic Adapter Erika violett (SC SX Footprint)
 - 1*MPO standard Adapter (SENKO) black
 - 1*MPO/PC-LC/UPC 12 Core Trunk Cable Method A MM OM4 LSZH 0.30M
 - Accessories
 - Dust cap for MPO * 1pcs

21.99.1107	VALUE MPO-Module, MPO-M /12x LC - F
ITEM NO.	Product description

		NEW	2019-1-15	A
BY	CHK	REVISION RECORD MODIFICATIONS	DATE	REV.

