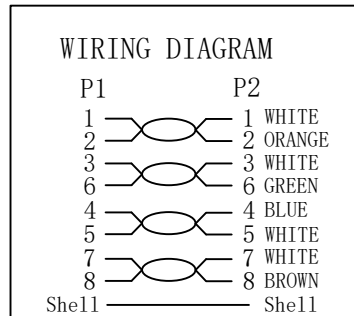


NOTE:

1. 100% OPEN SHORT, MISS WIRE TEST
2. Fluke channel test :
TEST LIMIT: IS011801 Channel Class I (+ALL)
3. PRINTING: Cat 8.1 S/FTP 4x2x26AWG/7 TPE-LSZH ISO/IEC11801 & EN50173 & ANSI/TIA568. 2-D
4. RoHS2.0 and REACH COMPLIANT
5. Flame retardant (IEC60332-1-2)
Low smoke (IEC 61034)
Halogen free (IEC 60754-2)



MATERIAL LIST

③	OVER MOLD	75A PVC	2	
②	CONNECTOR	RJ45 8P8C Shielded Plug, Pin Gold Plated 50U", The Shell plated nickel black	2	
①	CABLE	S/FTP CAT. 8 (AWG26 BC*1P+AL-FOIL)*4PAIRS+ BRAID+ JACKET:TPE-LSZH OD:6.2±0.2mm	1	
NO.	PARTS NAME	SPECIFICATION STANDARD	QT' Y	REMARK
		NEW		2023-02-01
BY	CHK	REVISION RECORD MODIFICATION	DATE	REV.

Color: grey RAL7035	
ITEM NO.	LENGTH
21.99.1801	1000 ± 20mm
21.99.1802	2000 ± 30mm
21.99.1803	3000 ± 50mm

DESC.	VALUE S/FTP PatchCord Cat.8.1 stranded, LSOH
-------	--

