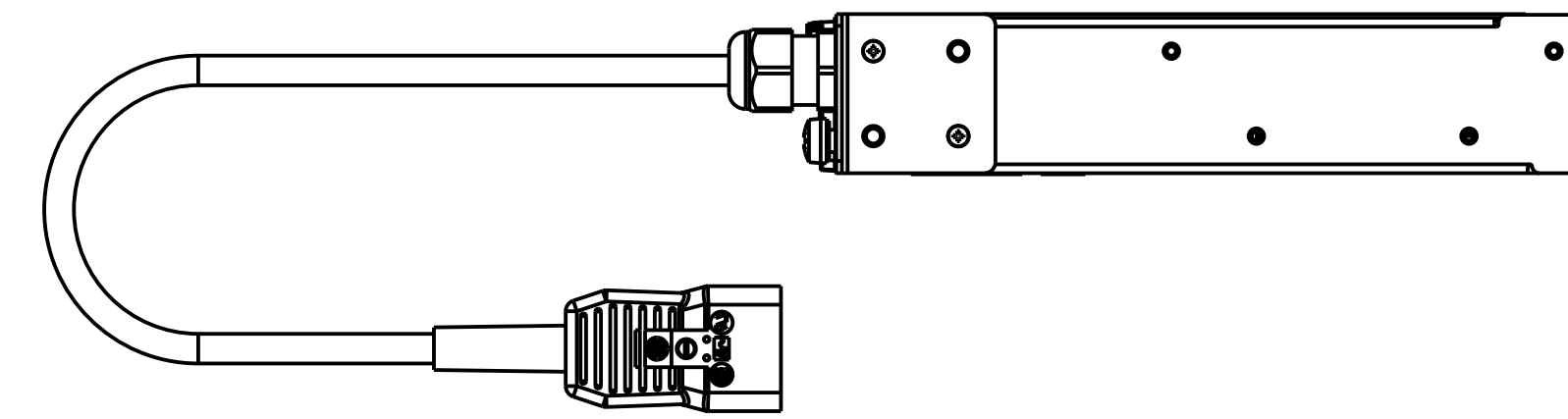
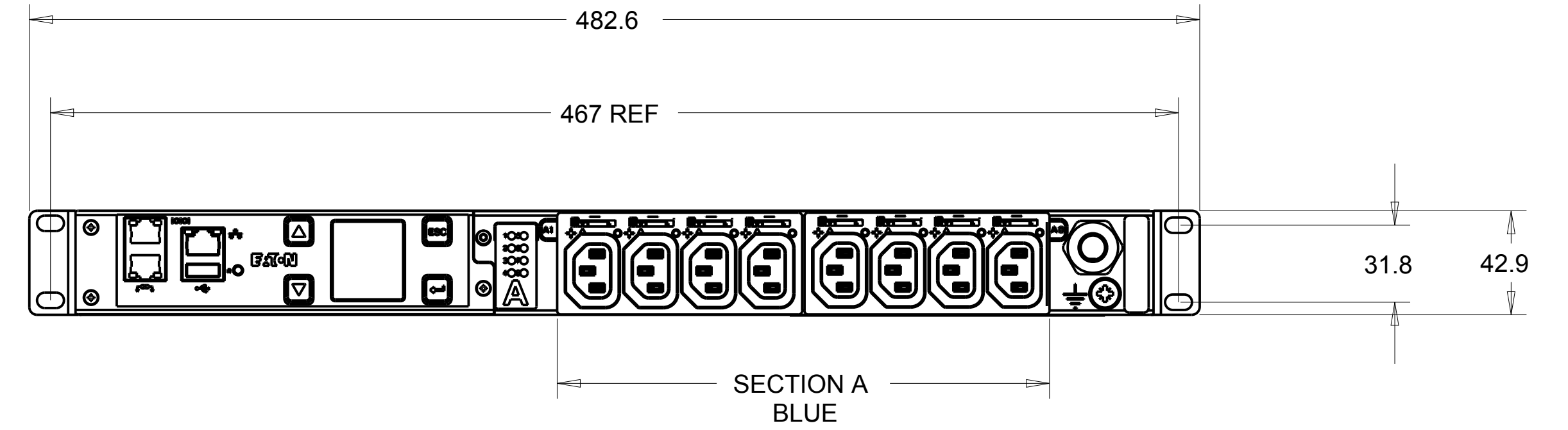
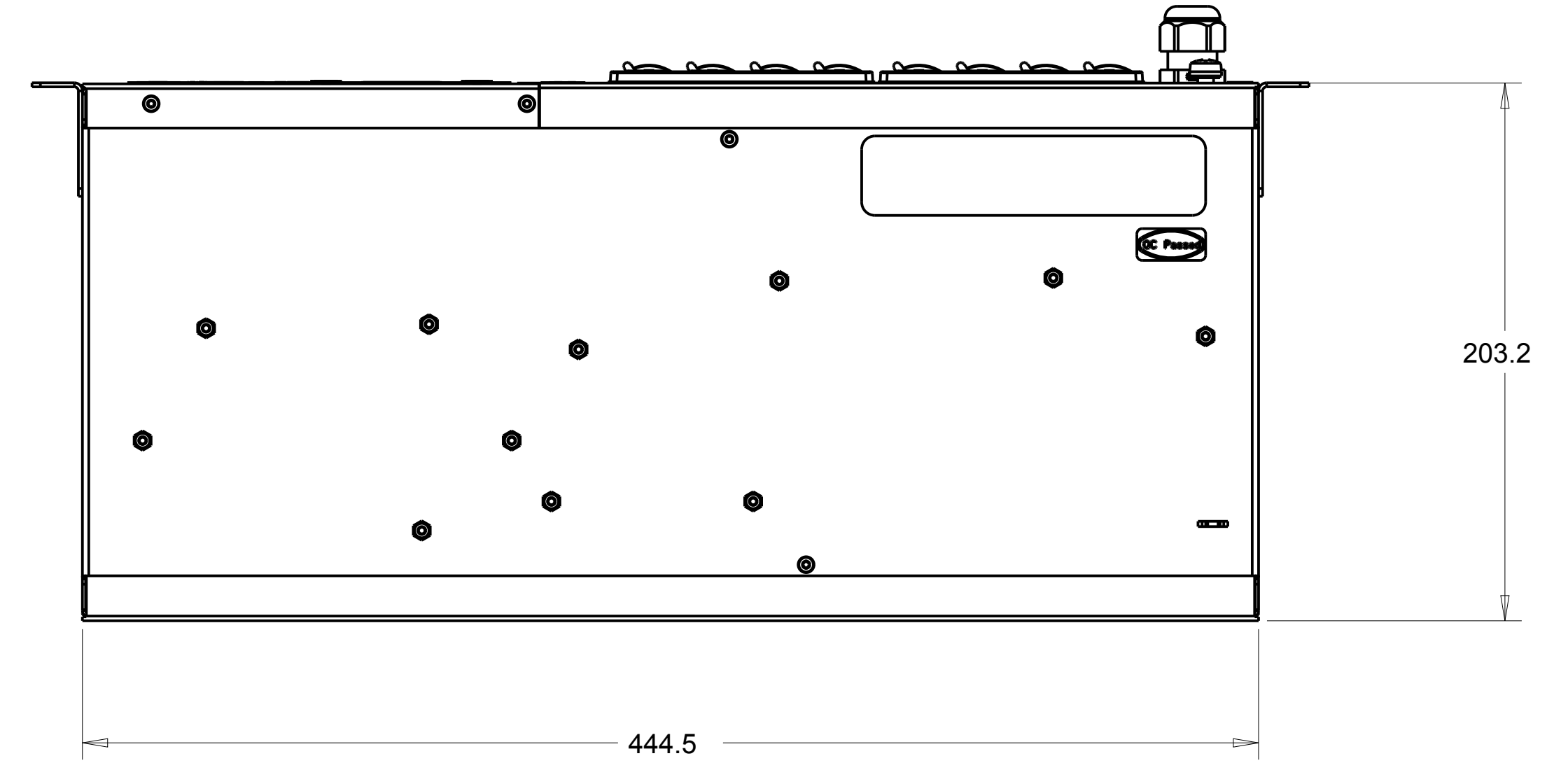
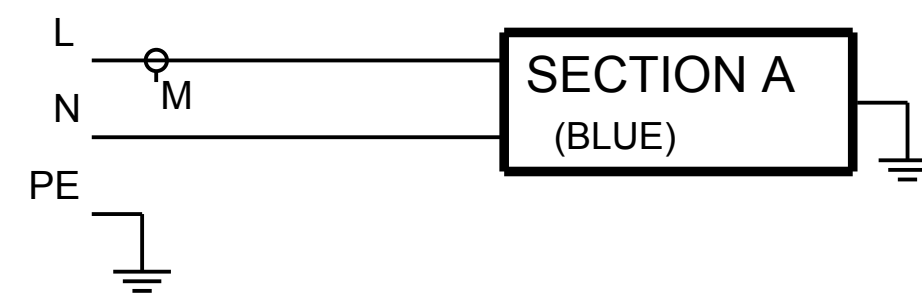


PICTORIAL VIEW  
REFERENCE ONLY



CABLE SHOWN NOT TO SCALE

CIRCUIT SCHEMATIC



## EMAH28 G3 MANAGED

FUNCTIONALITY	INPUT	OUTPUT	ENVIRONMENTAL
CURRENT POWER AND ENERGY METERING FOR INPUT, BRANCH AND OUTLETS. INDIVIDUAL OUTLET CONTROL	IEC 60309 C20 16A 230V~ W+N+PE 1.5MM HO5 POWER CORD CABLE LENGTH: 3.0 M	(8) IEC 60320 C13 GRIP	0 TO 60 °C
MECHANICAL	INPUT RATING	OUTPUT RATING	CERTIFICATIONS
LENGTH: 203.2MM WIDTH: 444.5 MM DEPTH: 42.9MM ALUMINIUM CHASSIS, BLACK 19 INCH RACK MOUNT	1Ø; 200-240V~;W+N+PE 50/60HZ 16A	200-240V~;50/60HZ 10A PER C13 10A MAX TOTAL	CE, CB
CIRCUIT BREAKERS	FILTER AND SPIKE/SURGE	ACCESSORIES	CONFIGURATION
NONE	NONE	STANDARD KSP011 - 1U INSTALL NETWORK PACK  OPTIONAL EMP001 - ENVIRONMENTAL PROBE	EMA3CXHFABB13AM

00	INITIAL RELEASE	12.12.2016	VV	MB
REV	MODIFICATION	DATE	DESIGNER	VERIF
		HEINEMANN PRODUCTS		VUE/VIEW EUROPE: 1/2
		CH-1345 LE LIEU SWITZERLAND		N° MAG: EMAH28
TRAITEMENT / FINISH: NA		TOLERANCE GENERALE / GENERAL TOLERANCE: ± 0.1 ± 0.5°		DESIGNEE LE / DRAWED THE: 12.12.2016
MATIERE / MATERIAL: NA		NIVEAU DU CERTIFICAT DE SOUMISSION REQUIS / SAMPLES APPROVAL PROCESS REPORT: X		PAR / BY: VV
DESIGNATION: EPDU MA 1U (C20 16A 1P)C13X8		DIMENSIONS AND TOLERANCES IN MILLIMETERS		VERIFIE PAR / VERIFIED BY: MB
COTES A CONTROLER / INSPECTION DIMENSIONS: XX.XX		COTES FONCTIONNELLES / FUNCTIONAL DIMENSIONS: # XX.XX		NUMERO DU PLAN / PLAN NUMBER: SK-83319-Y1
				REV.: 00

Ce document est propriété de Eaton Industries Manufacturing GmbH. Duplication interdite sans autorisation.  
This document is Eaton Industries Manufacturing GmbH property. Duplication forbidden without authorization.